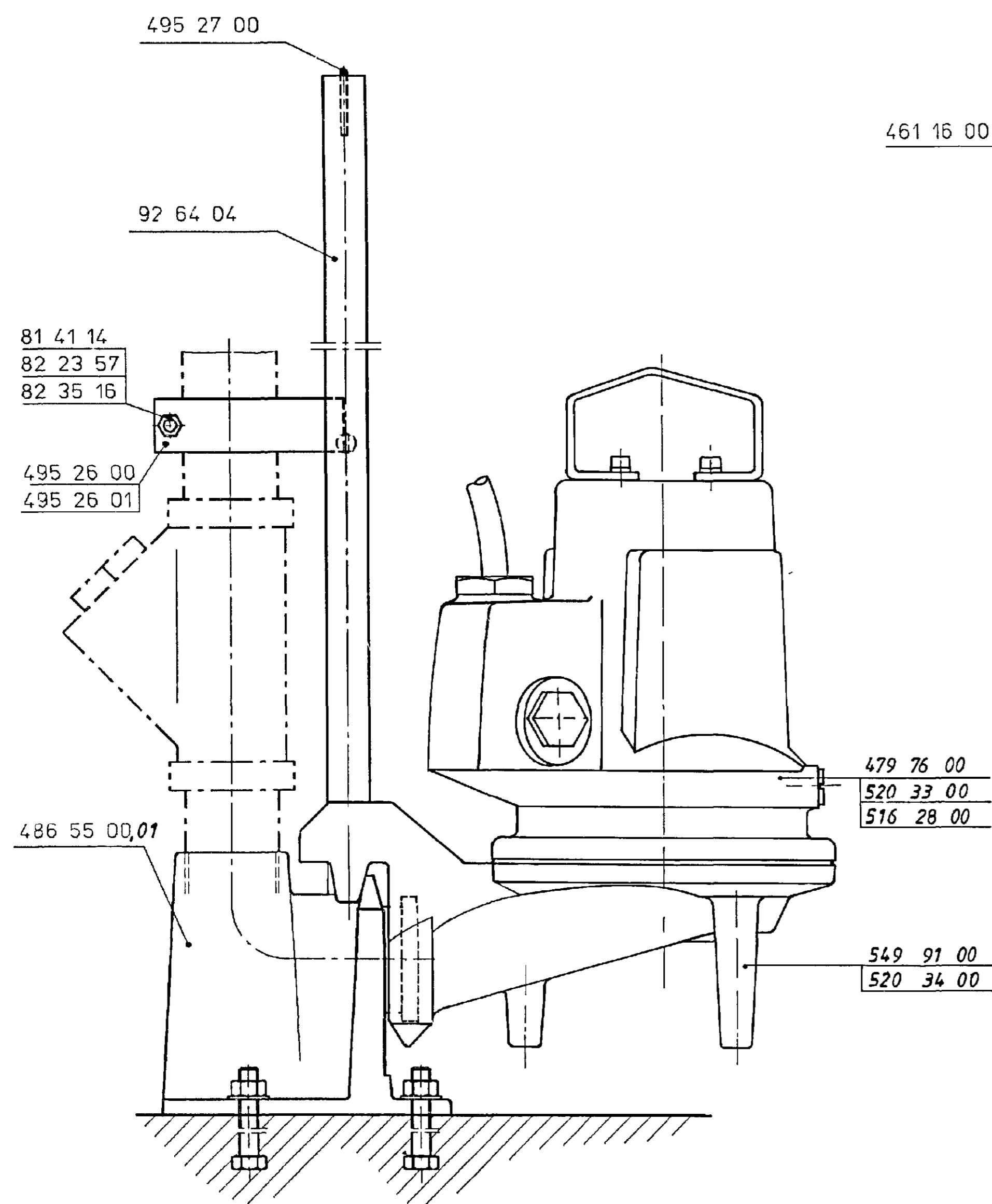


MP

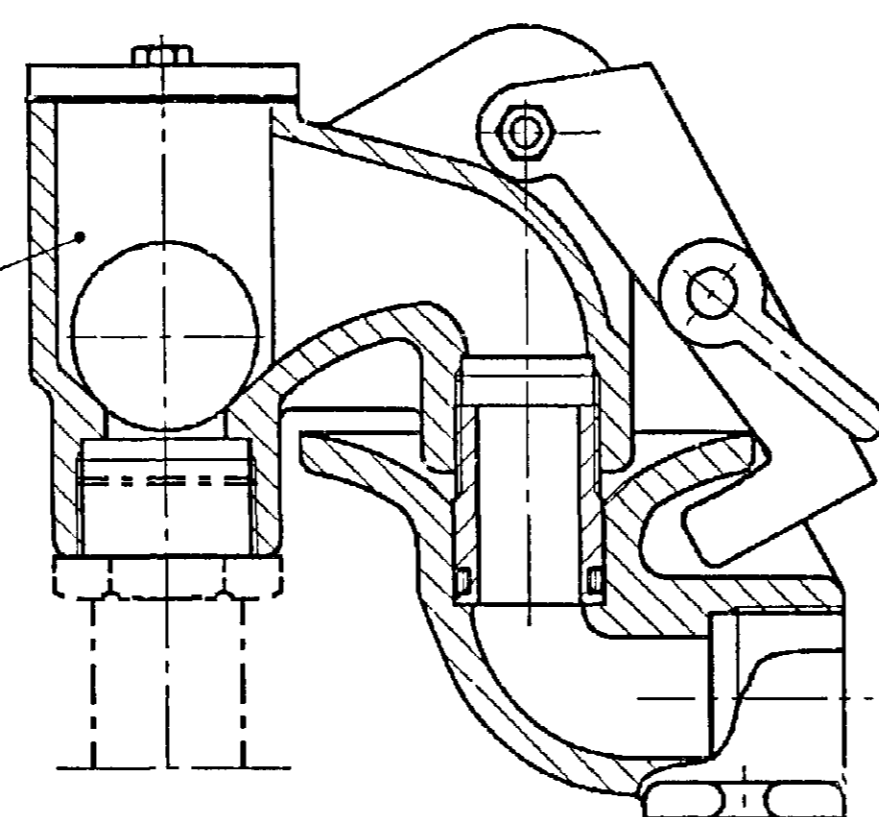
MH

MP

"Old" MP-Version



461 16 00



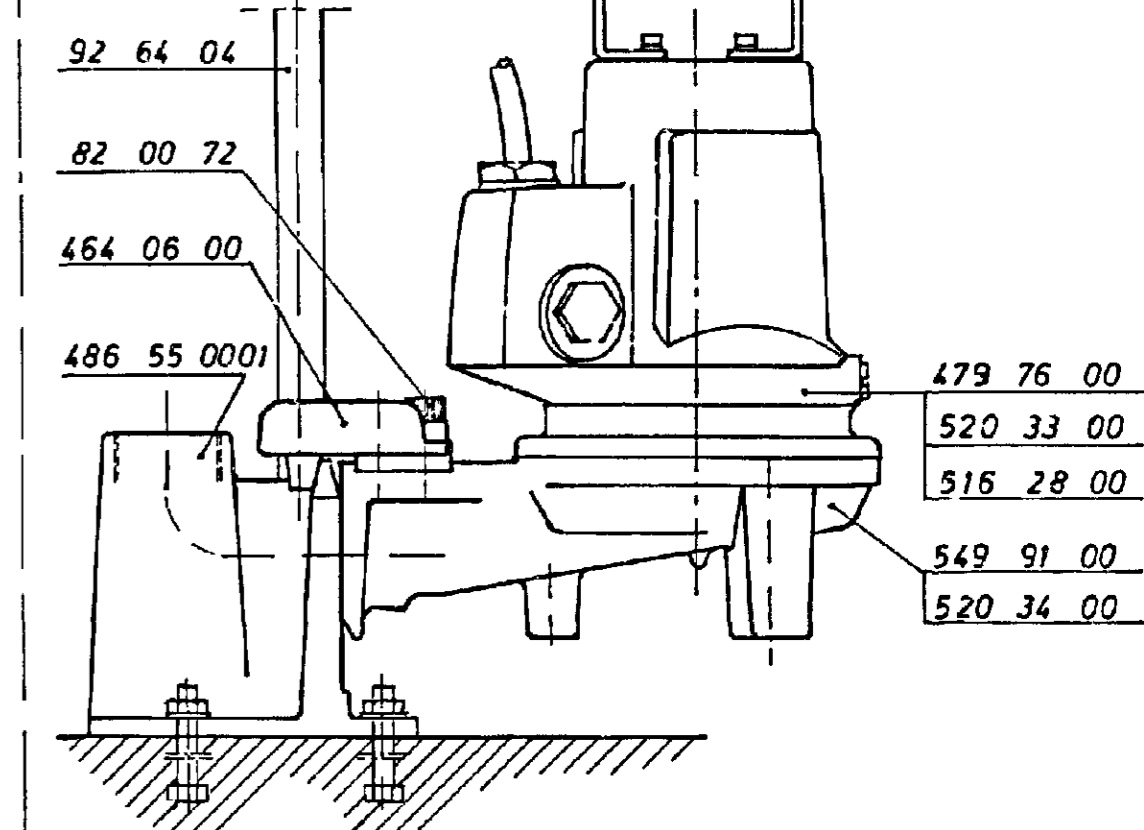
264 92 02

92 64 04

486 55 00,01

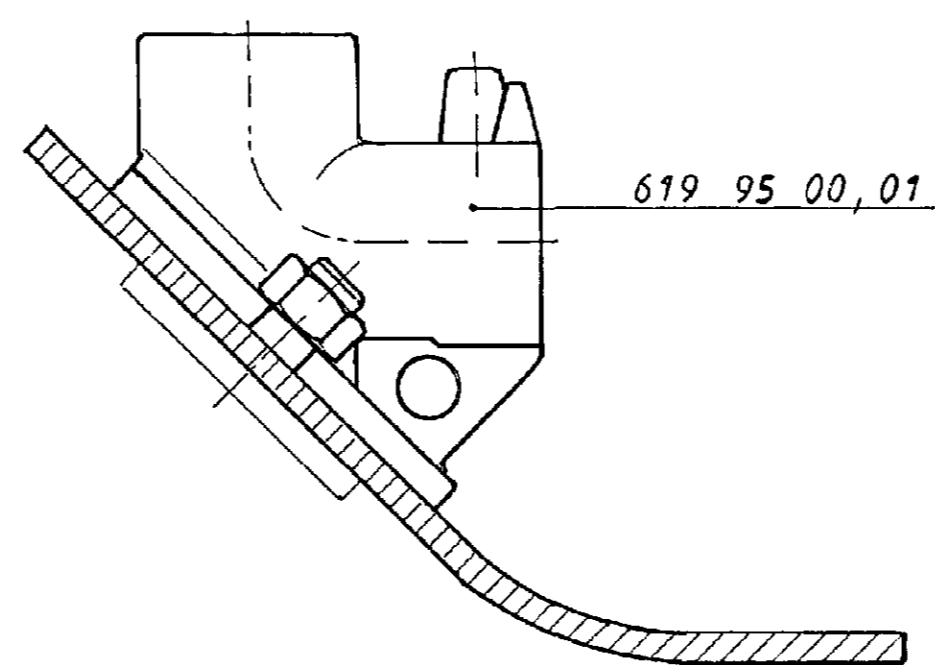
479 76 00
520 33 00
516 28 00

549 91 00
520 34 00



479 76 00
520 33 00
516 28 00

549 91 00
520 34 00



MF

83 92 70

479 76 00
520 33 00
516 28 00

549 91 00
520 34 00

398 95 00
534 48 00

9	264 92 02-02	FW	Ka	98309	ka
8	83 92 70-83-92-67	FW	Ka	98 927	ka
7	619 95 00, 01	FW	Ka	97-1210	ka
6	New MP-Design, 549 91 00, 464-06-00, 82-00-72, 264 92 01-00	FW	Ka	96-4-03	ka
5	516 28 00	FW	Ka	89 " 19	ka
4	534 48 00	KM2	BS	871022	B
3	520 33 00 520 34 00	KM2	BS	981106	HB
2	509 60 00	KM2	BST	86040	HB
1	4952600 01 4865500 4952700 814114 822357 823516 834462 9228042	KM2	BS	850904	HB

Druckfertig / Druckfertig / Druckfertig / Druckfertig	
Material: BS/We	
Part: Ka	
Date: 96-04-03	
By: ka	
Title: SAMMANST UTRUSTN DET ASSY DRWD ACCESSOARES GESAMTZEICHN AUSSTAT TEIL	
3067 170/ 890, 3041 171	
Scale: 1:1	
Drawing No: 125	
Revision: 5399	
Weight: 479 88 00	