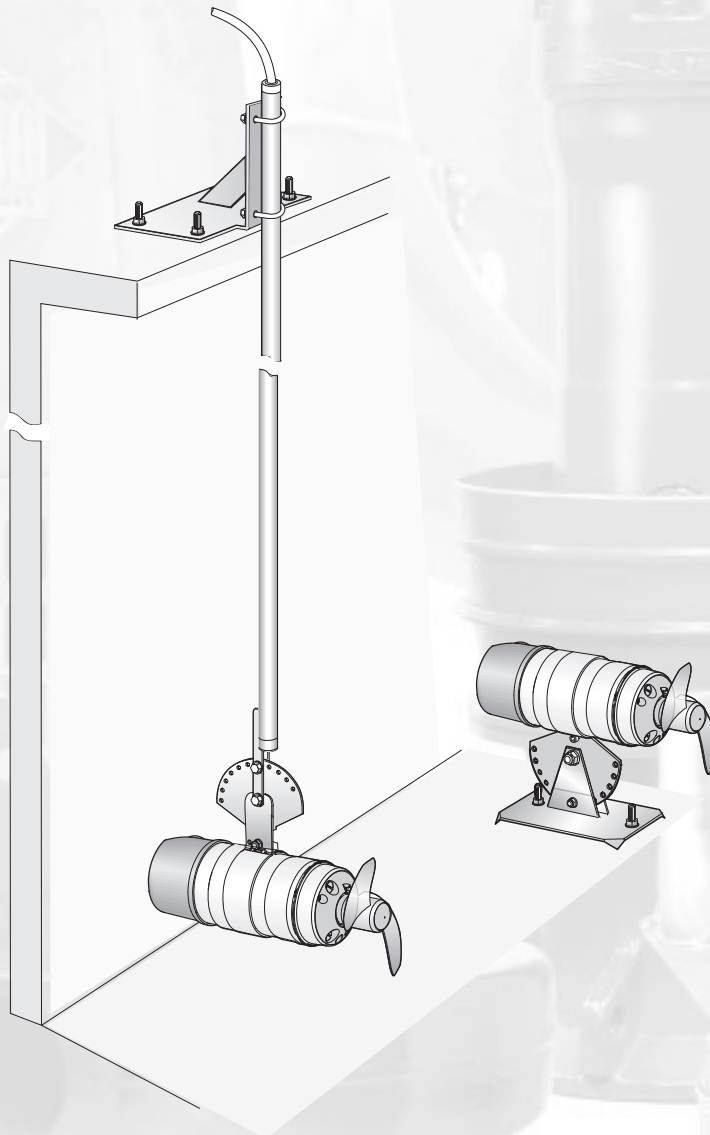




Installation, care and maintenance

Cantilever and Bottom fixing plate systems



CONTENTS

This "Installation, Care and Maintenance" applies to Cantilever guide bar and Bottom fixing plate systems for mixers 4610 and 4620.

	Page
Introduction	
Guarantee _____	3
Transportation and storage _____	3
Safety precautions _____	3
Handling equipment _____	3
Cantilever bar system	
Floor mounted bracket _____	4
General description	
Dimensions	
Erection procedure	
Hanging bracket _____	6
General description	
Dimensions	
Erection procedure	
Adjustable bracket _____	8
General description	
Dimensions	
Erection procedure	
Wall mounted bracket _____	10
General description	
Dimensions	
Erection procedure	
Bottom fixing plate system _____	12
General description	
Dimensions	
Erection procedure	

INTRODUCTION

GUARANTEE

ITT Flygt undertakes to remedy faults in products sold by ITT Flygt provided:

- That the fault is due to defects in design, materials or workmanship;
- That the fault is reported to ITT Flygt or ITT Flygt's representative during the guarantee period;
- That the product is used only under conditions described in the care and maintenance instructions and in applications for which it is intended;
- That the monitoring equipment incorporated in the product is correctly connected;
- That all service and repair work is done by a workshop authorized by ITT Flygt;
- That genuine ITT Flygt parts are used.

Hence, the guarantee does not cover faults caused by deficient maintenance, improper installation, incorrectly executed repair work or normal wear and tear.

ITT Flygt assumes no liability for either bodily injuries, material damages or economic losses beyond what is stated above.

ITT Flygt guarantees that a spare parts stock will be kept for 15 years after the manufacture of this product has been discontinued.

The manufacturer reserves the right to alter performance, specification or design without notice.

TRANSPORTATION AND STORAGE

If the lifting and handling accessories are not installed at the time when they are received, they should be stored in a room free from moisture.

During transportation and handling it is important to avoid impacts that might deform accessories or damage their anticorrosive coating.

SAFETY PRECAUTIONS

In order to minimize the risk of accidents in connection with the service and installation work, the following rules should be followed:

1. Never work alone. Use a lifting harness (part No. 84 33 02), a safety line (part No. 84 33 03) and a respirator (part No. 84 33 01), as required. Do not ignore the risk of drowning!
2. Make sure that there is sufficient oxygen and that there are no poisonous gases present.
3. Check the explosion risk before welding or using electric hand tools.

4. Do not ignore health hazards. Observe strict cleanliness.
5. Bear in mind the risk of electrical accidents.
6. Make sure that the lifting equipment is in good condition.
7. Provide a suitable barrier around the work area, for example a guard rail.
8. Make sure that you have a clear path of retreat!
9. Use a safety helmet, safety goggles and protective shoes.
10. All personnel who work with sewage systems should be vaccinated against diseases that can occur.
11. A first-aid kit must be handy.

Follow all other health and safety rules and local codes and practices.

ATTENTION!

In order to avoid accidents, warning signs for rotating propellers and machines that start automatically must be positioned visibly.

The area in the proximity of the machines should be fenced off.

HANDLING EQUIPMENT

Lifting equipment is required for handling the mixer.

The lifting device should not have a lifting capacity which is greater than twice the weight of the mixer.

Oversized lifting equipment could cause damage if the mixer gets stuck when being lifted.

Make sure that the lifting equipment is securely anchored.

WARNING! Keep out from suspended load.

Comply with the instructions for using chemical dowels of the Spit Maxi EA or similar type.

Observe in particular:

- do not drill the holes too close the concrete edge.
- the proximity of the clear edge of the concrete (see layout and civil engineering recess drawings).
- the drying time of the chemical capsules, ranging from 20 minutes to 5 hours in dry concrete depending on ambient temperature.

For more information, see manufacturer's instructions entitled "Chemical dowel, rules for definition and identification of use and placing".

CANTILEVER BAR SYSTEM

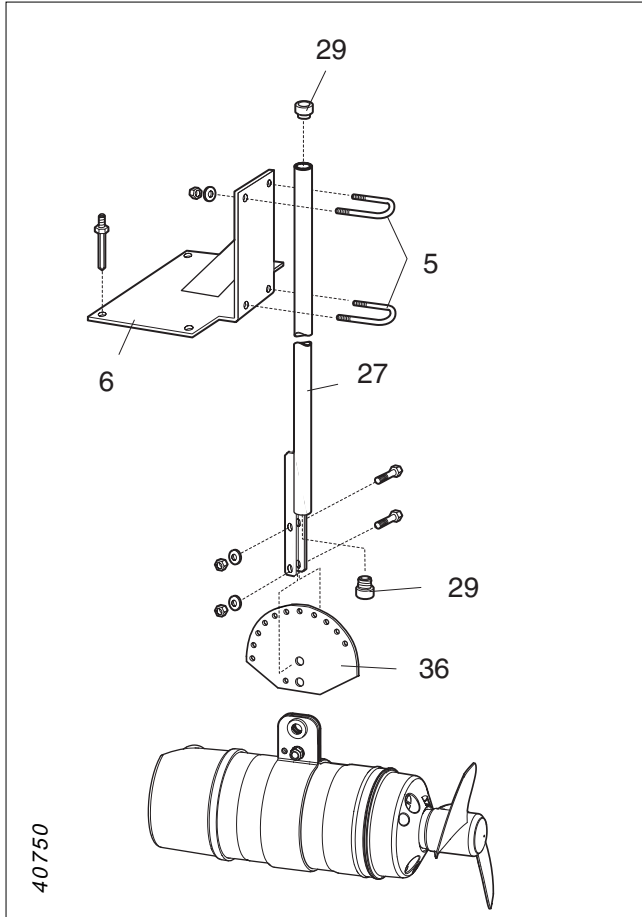
Materials for the Cantilever system

Denomination	EN	ASTM
High grade stainless steel	1.4432	316L
Galvanized steel, hot dip	1.0038	A 36

FLOOR MOUNTED BRACKET

Before installing the mixer, carry out the same checks stated in the installation and maintenance instructions.

General description



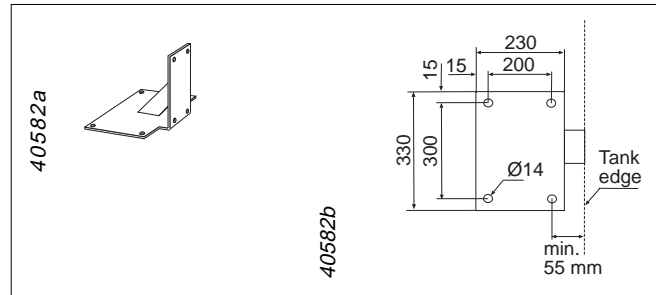
40750

Nomenclature

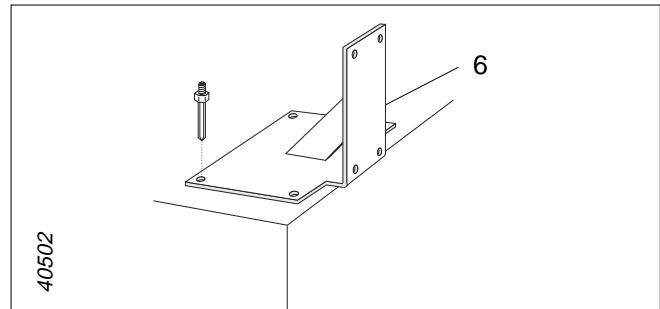
5	Clamp
6	Bracket
27	Guide bar
29	Bar plug
36	Lock plate

Dimensions

Measurement for mounting of bracket. Dimensions in mm.

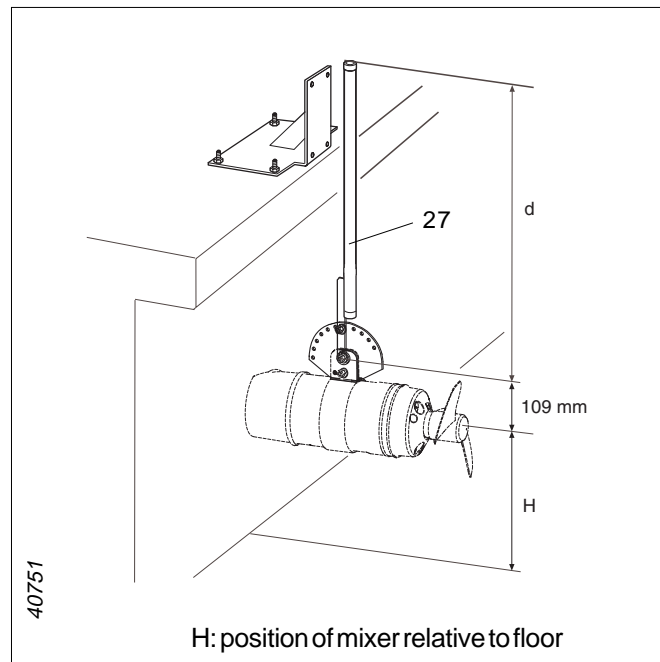


Erection procedure



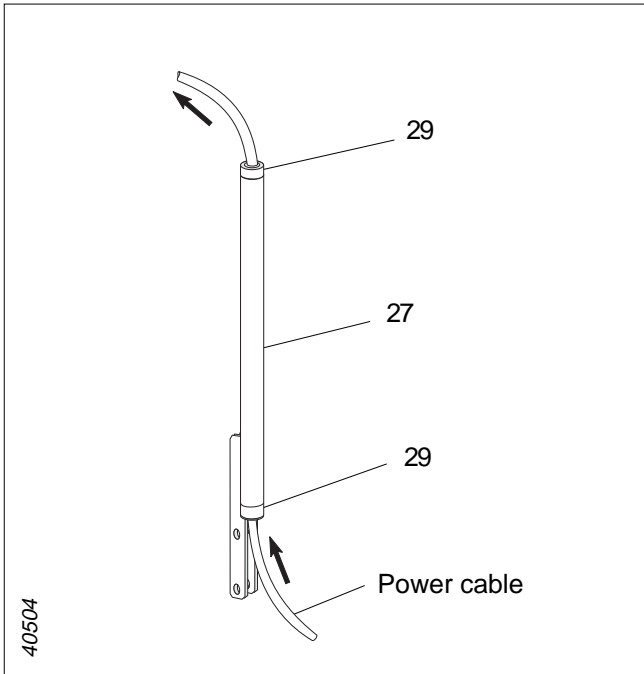
- 1) Position the bracket (6) according to the layout and civil engineering recess drawings.

Fix the horizontal bracket (6) into concrete by chemical dowels or to a steel plate by means of fixing bolts.

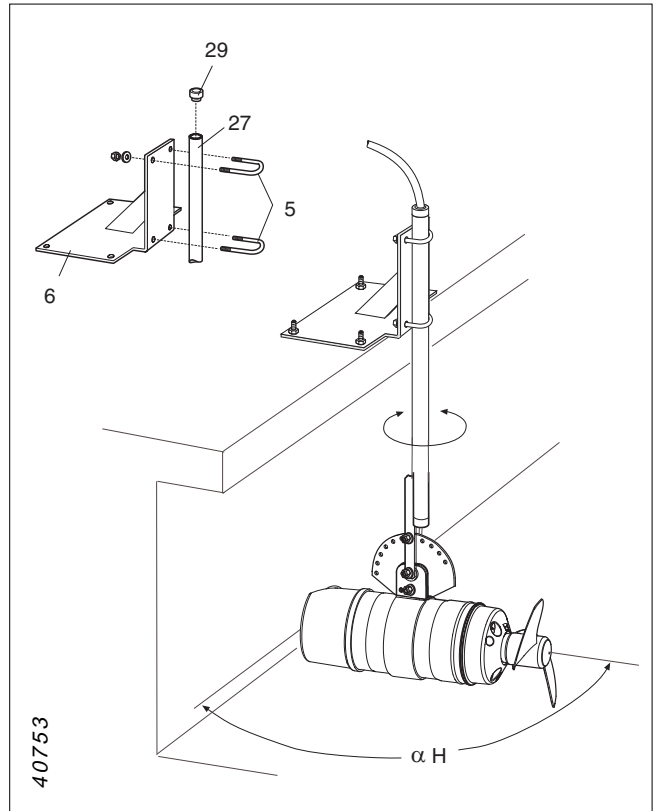


40751

- 2) Measure the distance that makes it possible to place the mixer in position and cut the bar (27) if necessary.

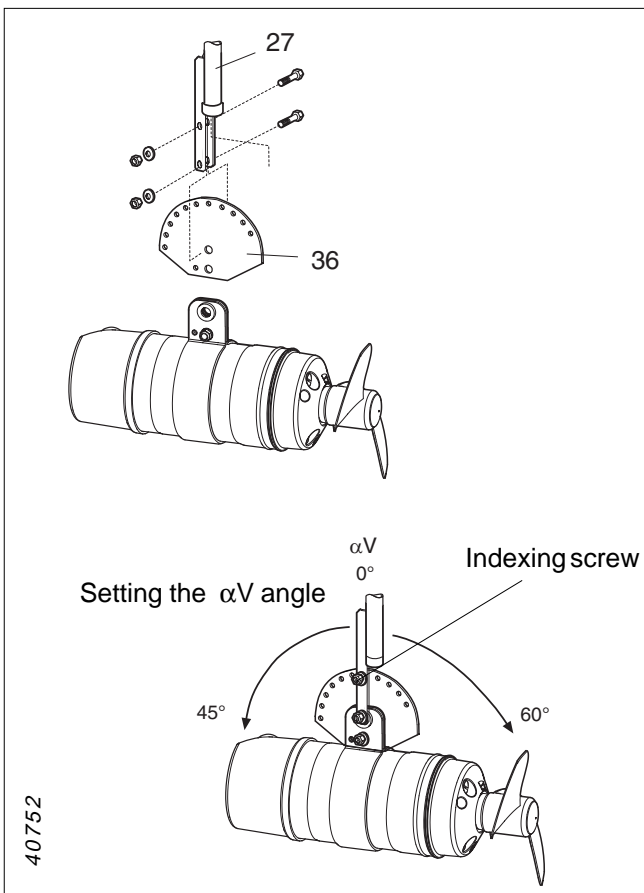


3) Insert the lower bar plug (29). Run the mixer power cable through the bar (27) via the mixer fixing end and insert the upper bar plug (29).



5) Place the bar (27) on the bracket (6), orientate the unit to the αH angle and lock it in position by means of the clamps (5).

The mixer is ready to be connected to the power supply (see manual entitled "Installation, care and maintenance" for the mixer).

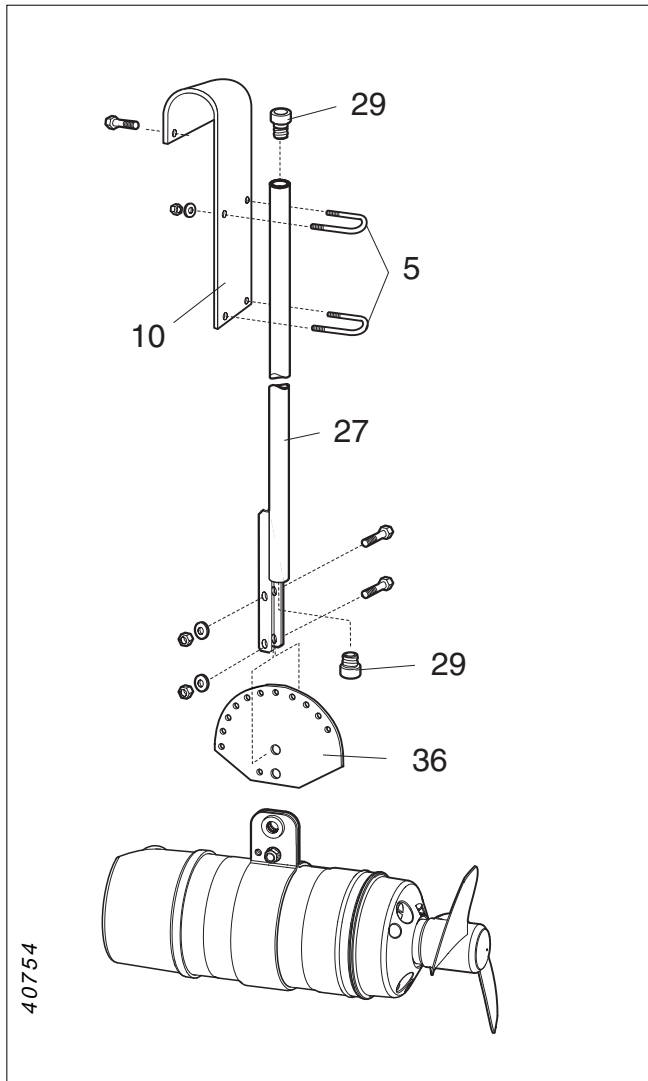


4) Use the nuts and bolts provided for the purpose to fix the lock plate (36) and the mixer to the end of the bar (27). Orientate the mixer so that it has the αV angle recommended by ITT Flygt and insert the indexing screw to prevent rotation of the lock plate (36).

HANGING BRACKET

Before installing the mixer, carry out the same checks stated in the installation and maintenance instructions.

General description

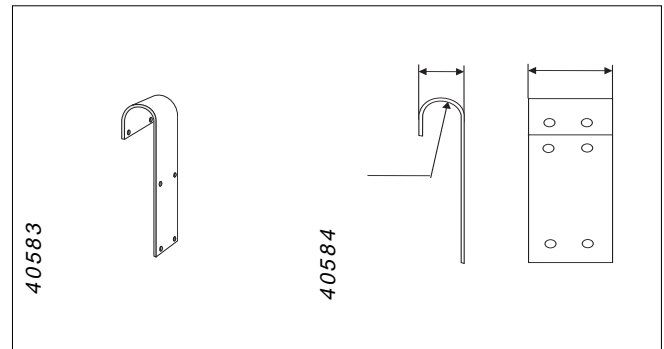


Nomenclature

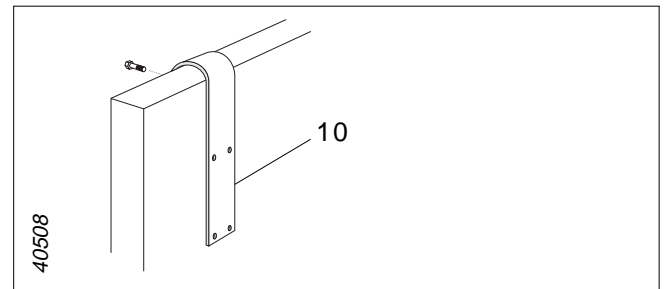
- 5 Clamp
- 10 Bracket
- 27 Guidebar
- 29 Bar plug
- 36 Lockplate

Dimensions

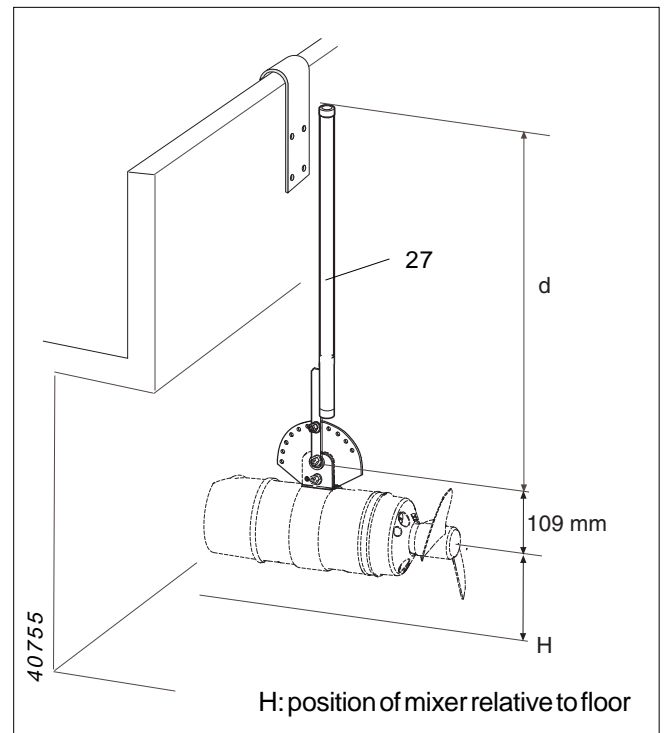
Measurement for mounting of bracket. Dimensions in mm.



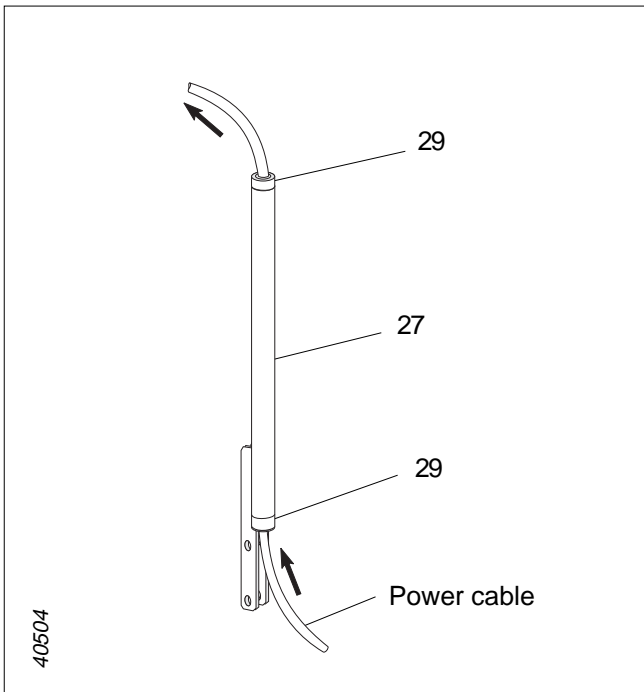
Erection procedure



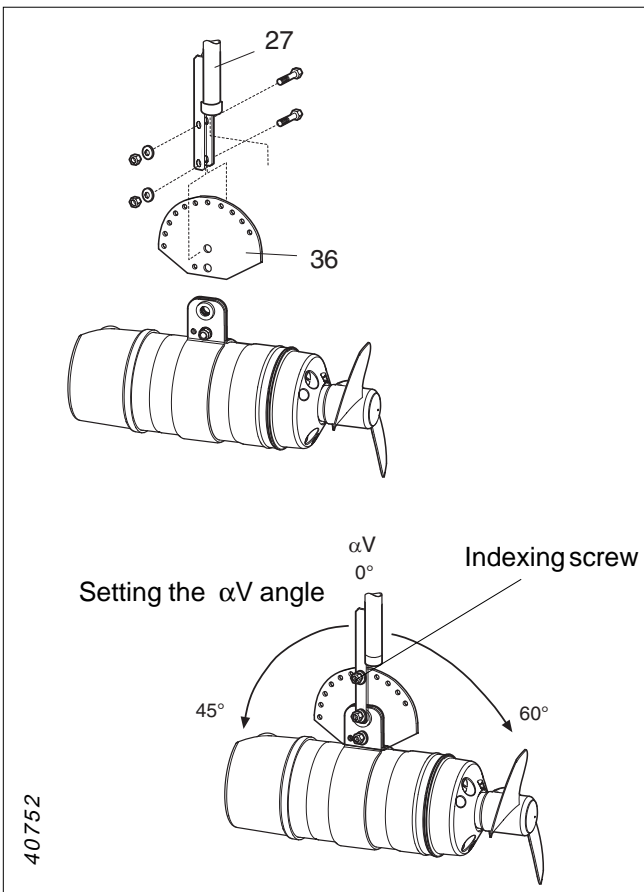
1) Position the bracket (10) according to the layout and civil engineering recess drawings.



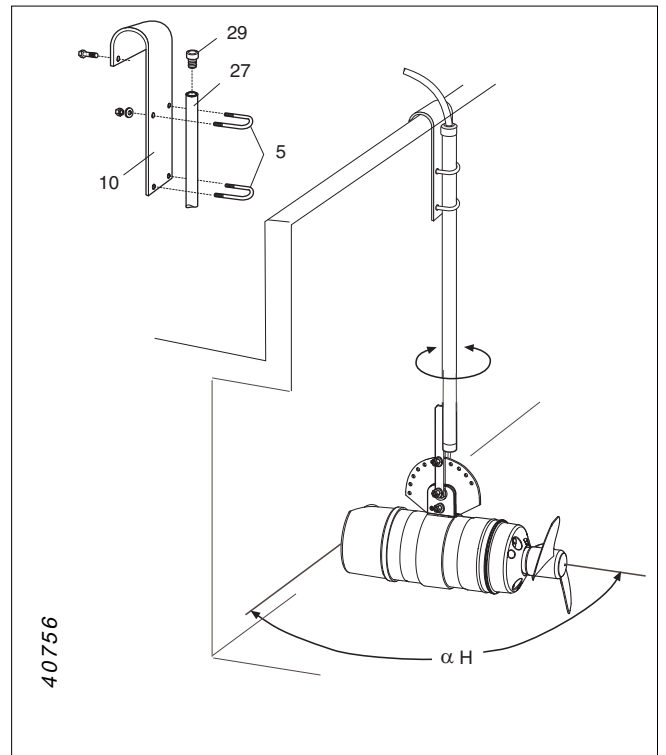
2) Measure the distance that makes it possible to place the mixer in position and cut the bar (27) if necessary.



3) Insert the lower bar plug (29). Run the mixer power cable through the bar (27) via the mixer fixing end and insert the upper bar plug (29).



4) Use the nuts and bolts provided for the purpose to fix the lock plate (36) and the mixer to the end of the bar (27). Orientate the mixer so that it has the αV angle recommended by ITT Flygt and insert the indexing screw to prevent rotation of the lock plate (36).



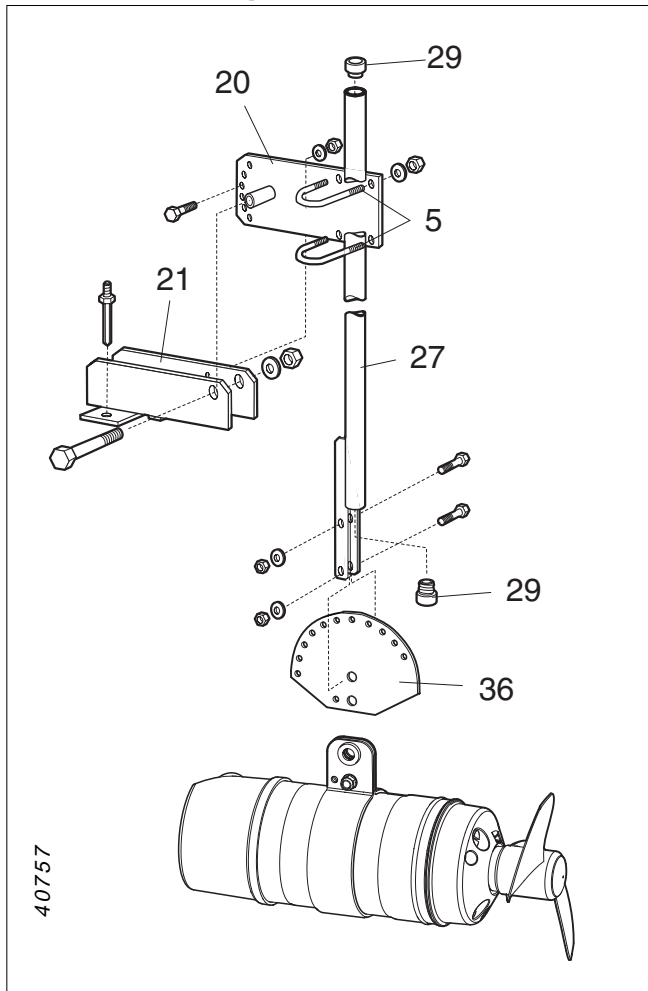
5) Unscrew the gripping bracket (10), orientate the unit to the αH angle using the clamps (5) to lock it in position, then raise the bracket (1) onto the edge of the tank and lock the gripping screws.

The mixer is ready to be connected to the power supply (see manual entitled "Installation, care and maintenance" for the mixer).

ADJUSTABLE BRACKET

Before installing the mixer, carry out the same checks stated in the installation and maintenance instructions.

General description



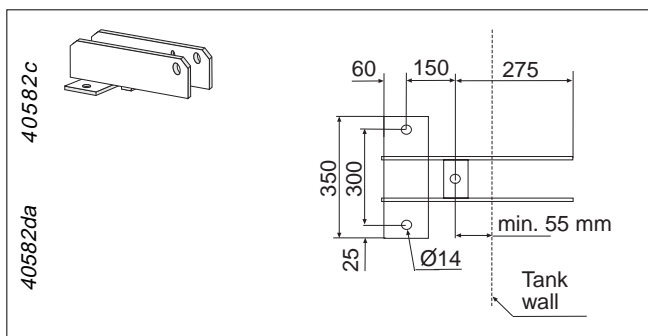
40757

Nomenclature

- 5 Clamp
- 20 Lockplate
- 21 Bracket
- 27 Guidebar
- 29 Bar plug
- 36 Lockplate

Dimensions

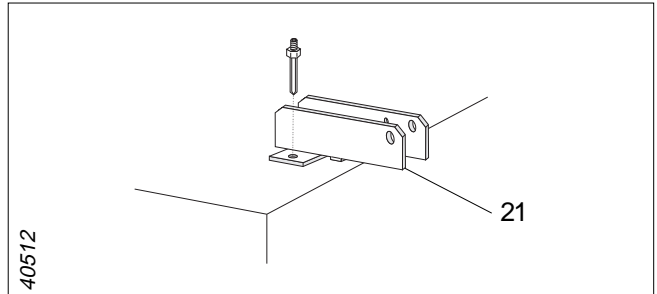
Measurement for mounting of bracket. Dimensions in mm.



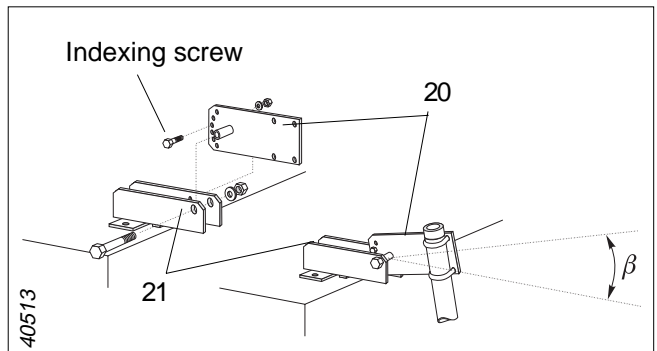
40582c

40582da

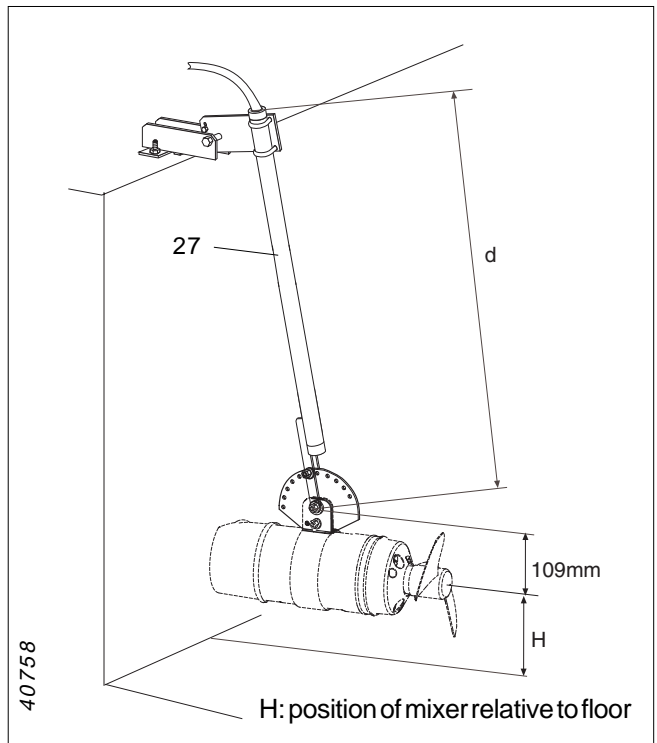
Erection procedure



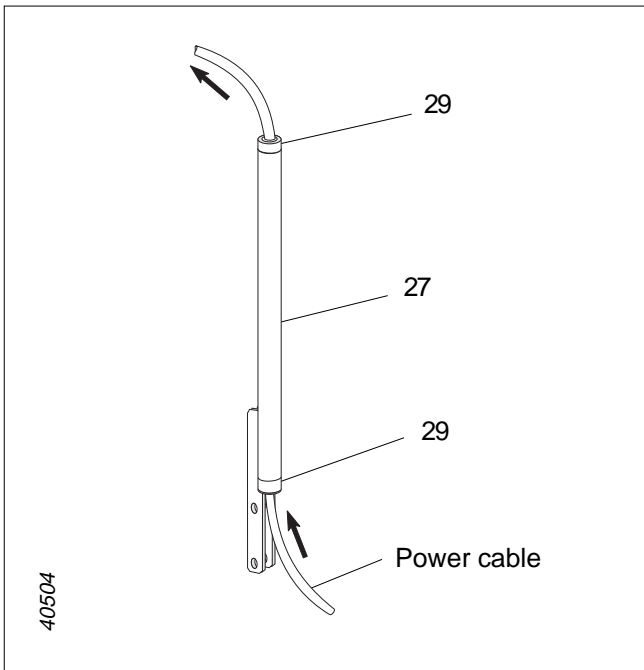
- 1) Position the bracket (21) according to the layout and civil engineering recess drawings.
Fix the horizontal bracket (21) into concrete by chemical dowels (M12) torque 60 Nm or to a steel plate by means of fixing bolts.



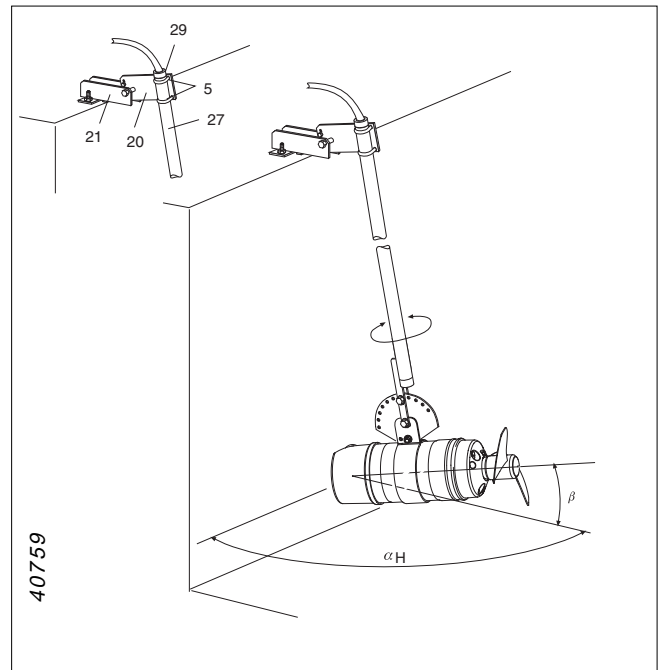
- 2) Place the lock plate (20) in position, orientate it on bracket (21) and tighten the indexing screw.



- 3) Measure the distance that makes it possible to place the mixer in position and cut the bar (27) if necessary.

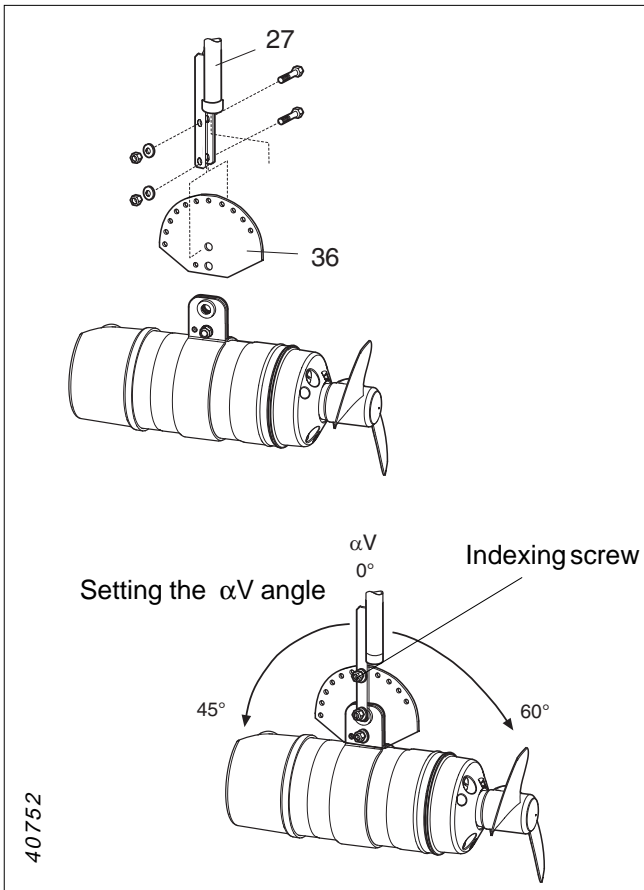


4) Insert the lower bar plug (29). Run the mixer power cable through the bar (27) via the mixer fixing end and insert the upper bar plug (29).



6) Place the bar (27) on the inclinable guide (20), orientate the unit to the αH angle and use the clamps (5) to lock it in position.

The mixer is ready to be connected to the power supply (see manual entitled "Installation, care and maintenance" for the mixer).

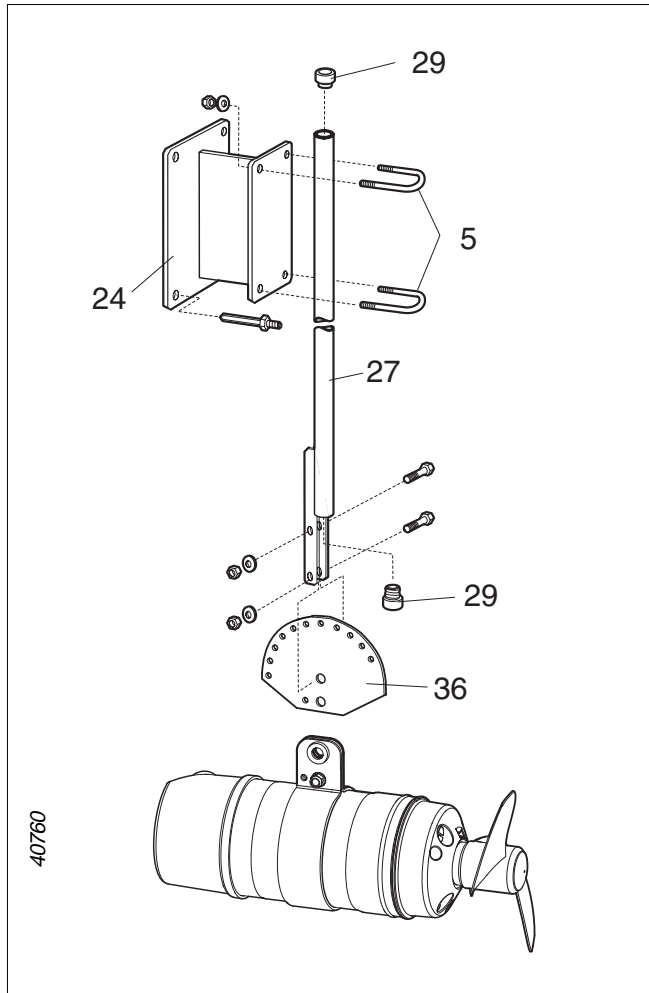


5) Use the nuts and bolts provided for the purpose to fix the lock plate (36) and the mixer to the end of the bar (27). Orientate the mixer so that it has the αV angle recommended by ITT Flygt and insert the indexing screw to prevent rotation of the lock plate (36).

WALL MOUNTED BRACKET

Before installing the mixer, carry out the same checks stated in the installation and maintenance instructions.

General description

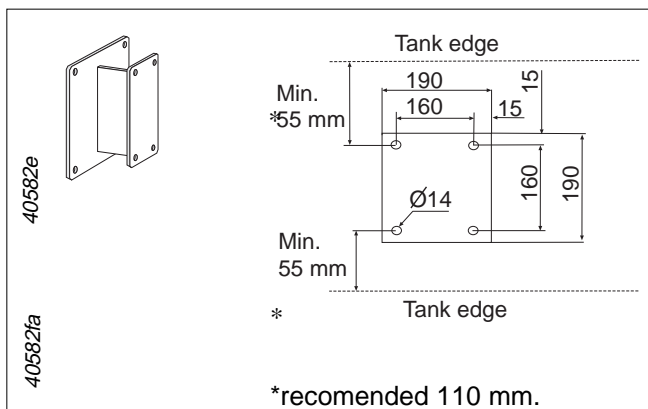


Nomenclature

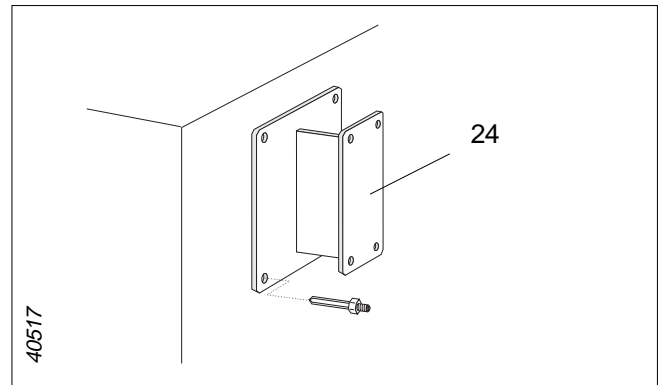
5	Clamp
24	Bracket
27	Guide bar
29	Bar plug
36	Lock plate

Dimensions

Measurement for mounting of bracket. Dimensions in mm.

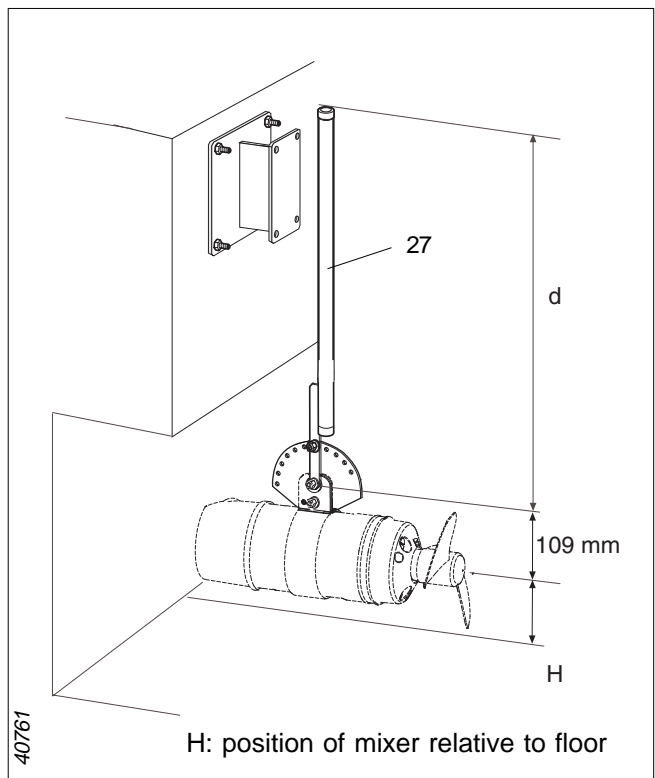


Erection procedure

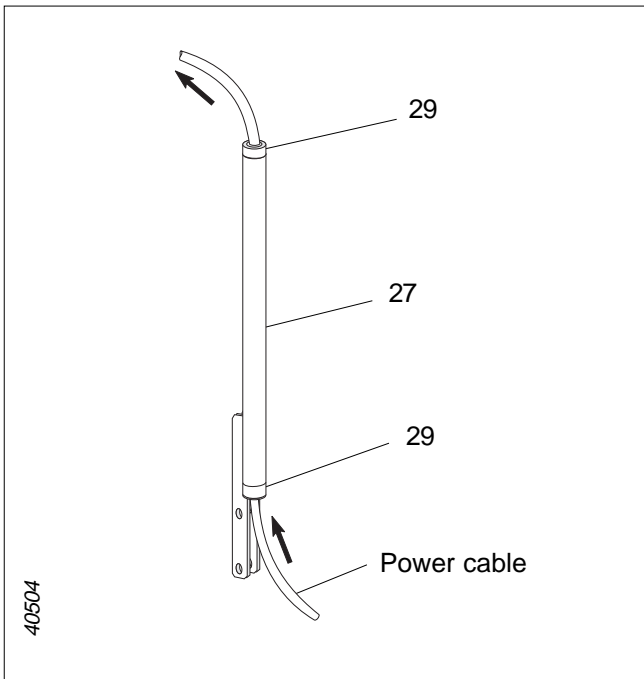


1) Position the bracket (24) according to the layout and civil engineering recess drawings.

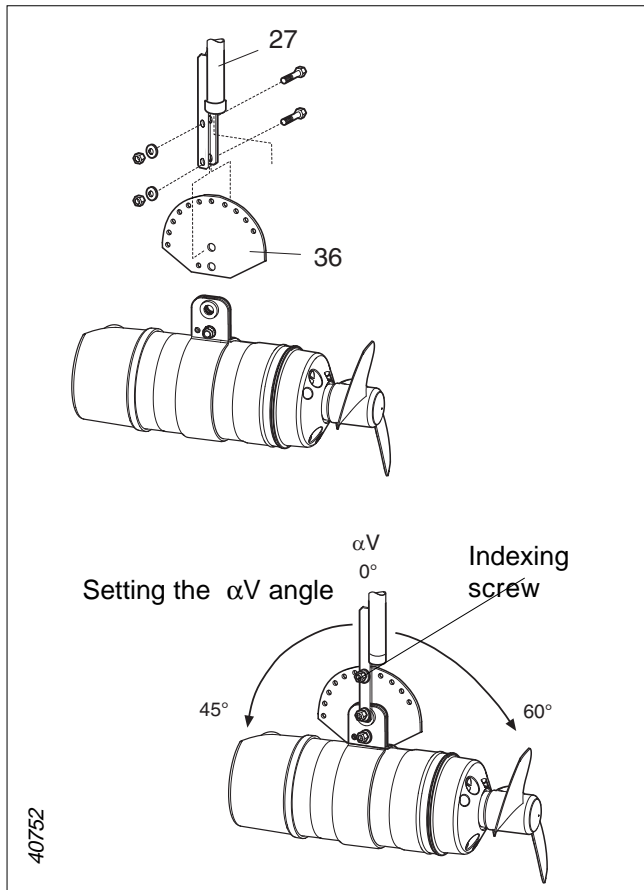
Fix the horizontal bracket (24) into concrete by chemical dowels or to a steel plate by means of fixing bolts.



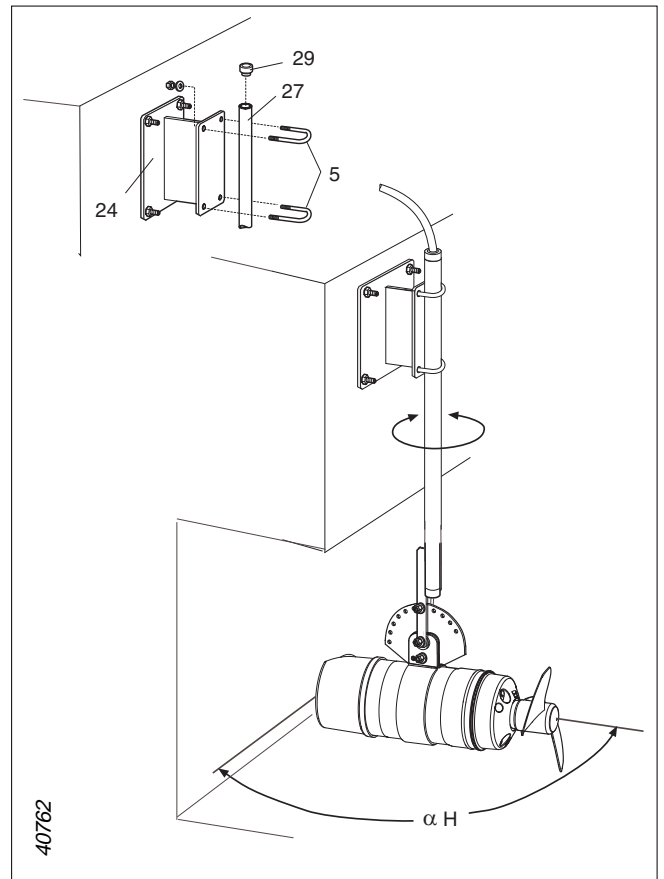
2) Measure the distance that makes it possible to place the mixer in position and cut the bar (27) if necessary.



3) Insert the lower bar plug (29). Run the mixer power cable through the bar (27) via the mixer fixing end and insert the upper bar plug (29).



4) Use the nuts and bolts provided for the purpose to fix the lock plate (36) and the mixer to the end of the bar (27). Orientate the mixer so that it has the αV angle recommended by ITT Flygt and insert the indexing screw to prevent rotation of the lock plate (36).



5) Place the bar (27) on the horizontal bracket (24), orientate the unit to the αH angle and lock it in position by means of the clamps (5).

The mixer is ready to be connected to the power supply (see manual entitled "Installation, care and maintenance" for the mixer).

BOTTOM FIXING PLATE SYSTEM

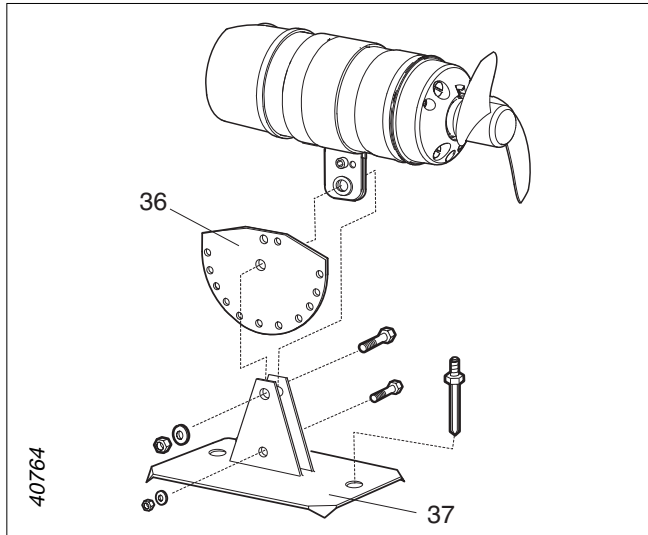
Materials for the Bottom fixing plate system

Denomination	EN	ASTM
High grade stainless steel	1.4432	316L
Galvanized steel, hot dip	1.0038	A 36

BOTTOM FIXING PLATE

Before installing the mixer, carry out the same checks stated in the installation and maintenance instructions.

General description

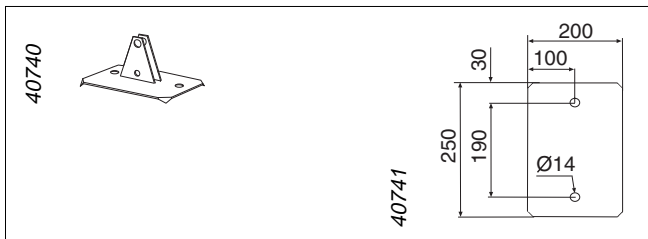


Nomenclature

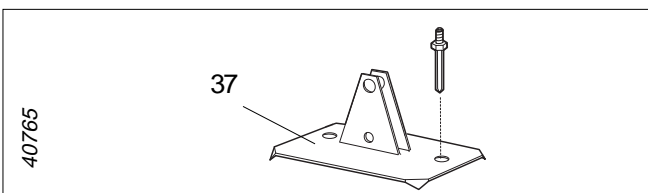
36	Lock plate
37	Bracket

Dimensions

Measurement for mounting of bracket. Dimensions in mm.

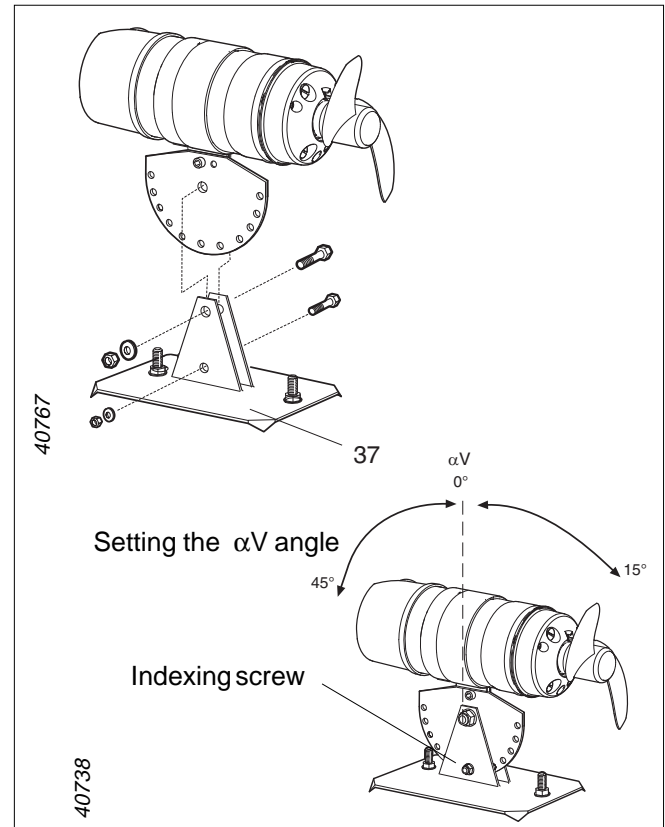


Erection procedure



1) Position the bracket (37) according to the layout and civil engineering recess drawings.

Fix the bracket (37) into concrete by chemical dowels or to a steel plate by means of fixing bolts.



4) Use the nuts and bolts provided for the purpose to fix the lock plate (36) and the bottom plate. Orientate the mixer so that it has the αV angle recommended by ITT Flygt and insert the indexing screw to prevent rotation of the lock plate (36).

The mixer is ready to be connected to the power supply (see manual entitled "Installation, care and maintenance" for the mixer).



www.flygt.com