

# DELAWARE COUNTY, OHIO

## MAXTOWN ROAD WASTEWATER PUMPING STATION

### 1992

GENERAL NOTES

**SPECIFICATION:** The County of Delaware requirements, together with the Specifications of the State of Ohio, Department of Transportation, including all supplements thereto, shall govern all construction items that are a part of this plan. The Contractor shall refer to the "Standard Plans and Specifications for Construction of Sanitary Facilities in Delaware County, Ohio" for all necessary construction details and specifications.

**SEWER TRENCHES:** Sewer trenches shall be de-watered to 2" below bell of pipe prior to installation of pipe.

**FIELD TILE:** Any field tile disturbed during construction shall be replaced as directed by the County.

**ROOF DRAINS:** Roof drains, foundation drains and other clean water connections to the Sanitary Sewer are prohibited on this project.

**FORCE MAIN:** The Force Main shall be tested in accordance with Section 5.2 of Specifications to a hydrostatic pressure of 125 lbs./sq. ft. Contractor shall cooperate with Delaware County Engineer and provide all necessary equipment to perform sewer test.

**SAFETY REQUIREMENTS:** The Contractor and Sub-Contractor shall be solely responsible for complying with all federal, state and local requirements, together with exercising precautions at all times for protection of persons (including employees) and property. It is also the sole responsibility of the Contractor and Sub-Contractor to initiate, maintain and supervise all safety requirements, precautions and programs in connection with the work.

**TREES:** The Contractor shall include for payment under Clearing & Grubbing the cost of removal and disposal of all trees, brush and stumps within the limits of work of the excavation. No trees or brush shall be removed without prior approval of the Engineer.

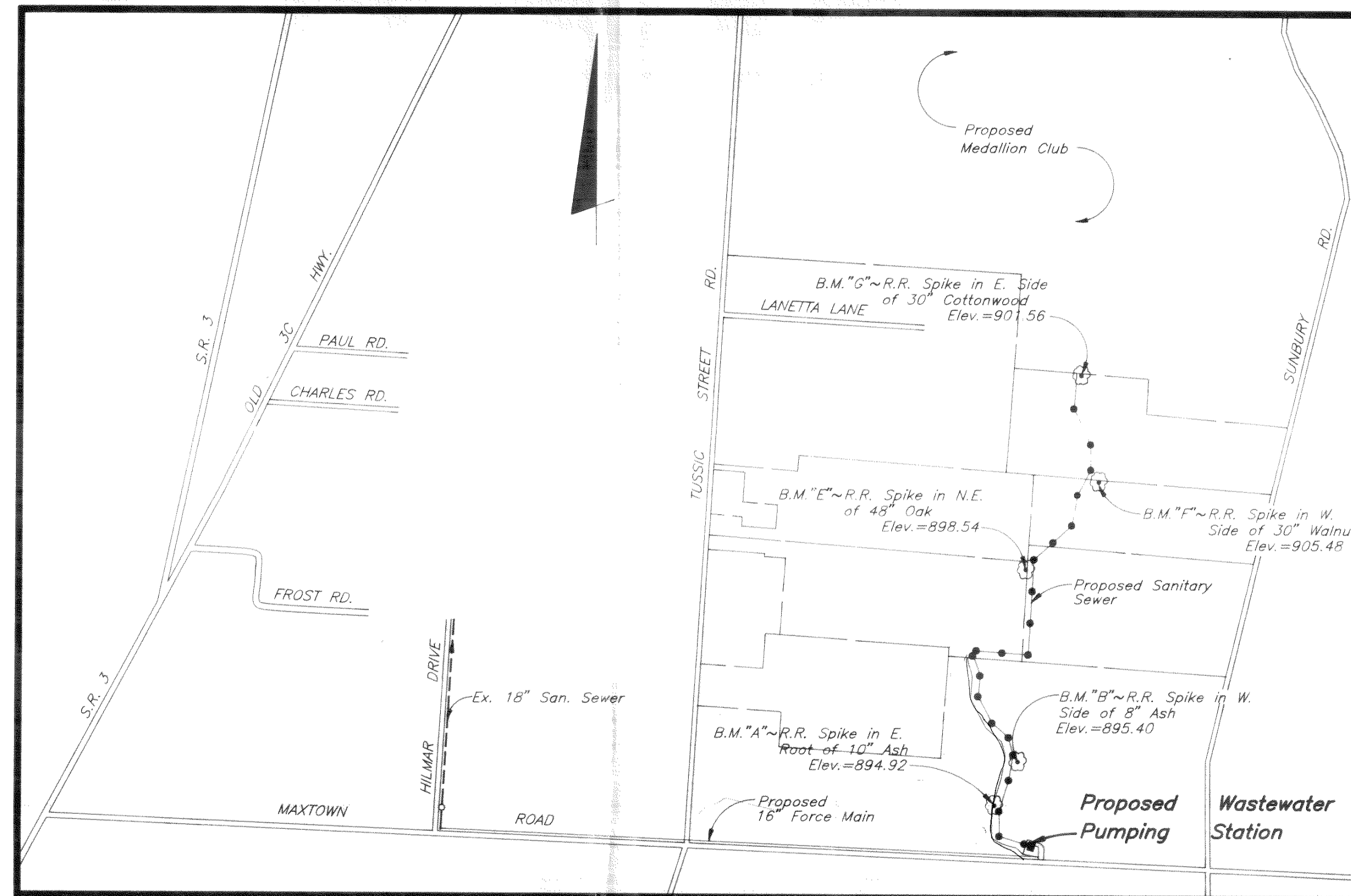
**EXISTING UTILITIES:** The identity and location of the existing underground utility facilities known to be located in the construction area have been shown on the plans as accurately as provided by the Owner of the underground utility. Delaware County and/or Engineer assumes no responsibility as to the accuracy or the depths of the underground facilities shown on the plans.

Support, protection and restoration of all existing utilities and appurtenances shall be the responsibility of the Contractor. The cost of this work shall be included in the price bid for the various items.

**NOTICE:** The Contractor shall cause notice to be given to the Ohio Utilities Protection Service, 1-800-362-2764 toll free and to the Owners of underground utility facilities shown on the plans who are not members of a registered underground protection service in accordance with Section 153.64 of the Revised Code. The above mentioned notice shall be given at least 48 hours prior to start of construction.

**UTILITY OWNERSHIP:** The following utilities are located within the work limits of this project, and the Owners do not subscribe to a registered underground utility protection service.

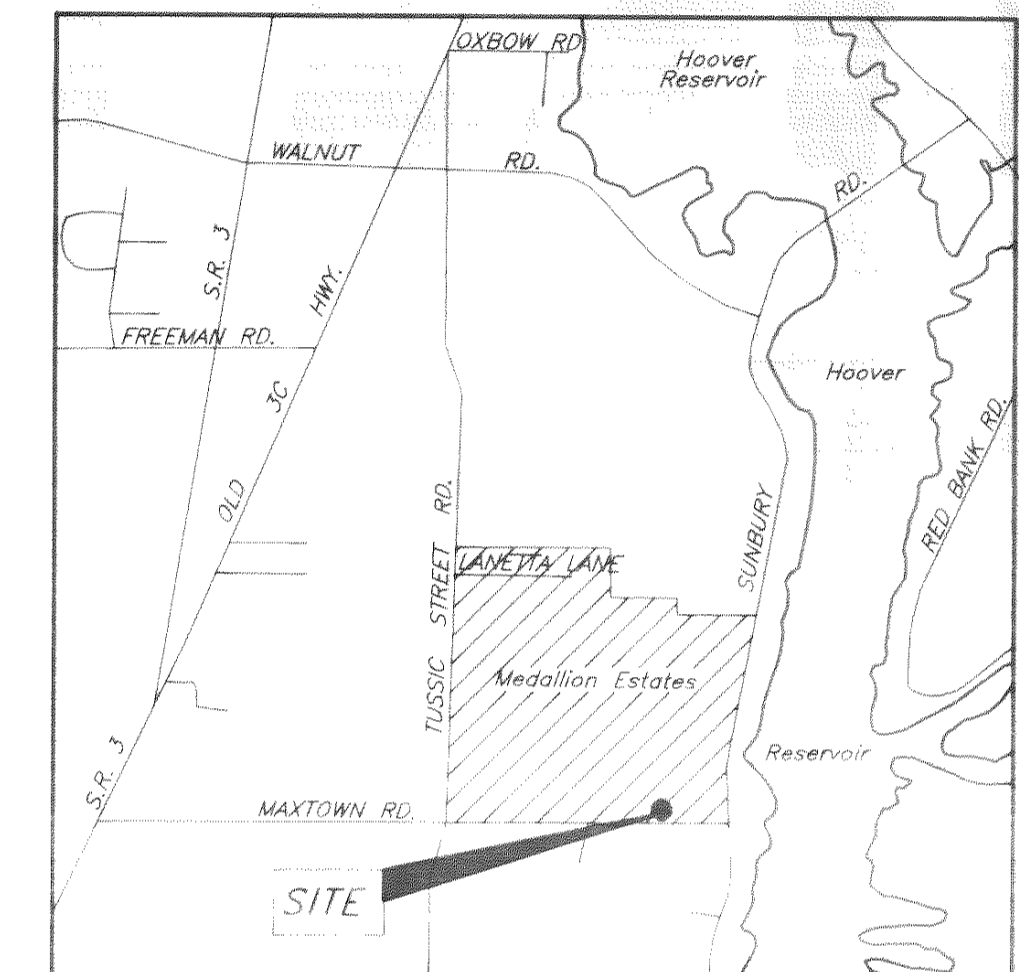
UTILITY	OWNER	TELEPHONE
Water Mains	Delco Water Co. 6773 Orlentangy River Road Delaware, Ohio 43015	548-7746
Storm Sewers and Sanitary Sewers	Delaware County 50 Channing Street Delaware, Ohio 43015	548-7313



INDEX MAP  
SCALE: 1"=1000'

STANDARD DRAWINGS

These standard drawings listed on this plan shall be considered a part thereof:  
 "Preliminary Standard Plan and Specifications for Construction of Sanitary Facilities in Delaware County, Ohio."  
 Dwg. No. 23 Minimum Concrete Reaction Backing Details  
 State of Ohio-O.D.O.T. Standard Construction Drawings  
 Dwg. No. CB-2-2A & B Catch Basins



SITE MAP  
NOT TO SCALE

RECEIVED  
JUL 24 1992  
OHIO EPA/CDO

PREPARED BY  
EVANS, MECHWART, HAMBLETON & TILTON, INC.  
CONSULTING ENGINEERS & SURVEYORS  
GAHANNA, OHIO

*Heber E. Johnson*  
Registered Engineer

SEWER ENGINEERING  
APPROVED  
DATE 7-20-92  
AS EVIDENCED BY  
LETTER OF APPROVAL  
HERE TO ATTACHED

Signatures below signify only concurrence with the general purpose of this project. All technical details are the responsibility of Evans, Mechwart, Hambleton, & Tilton, Inc. Consulting Engineers and Surveyors.

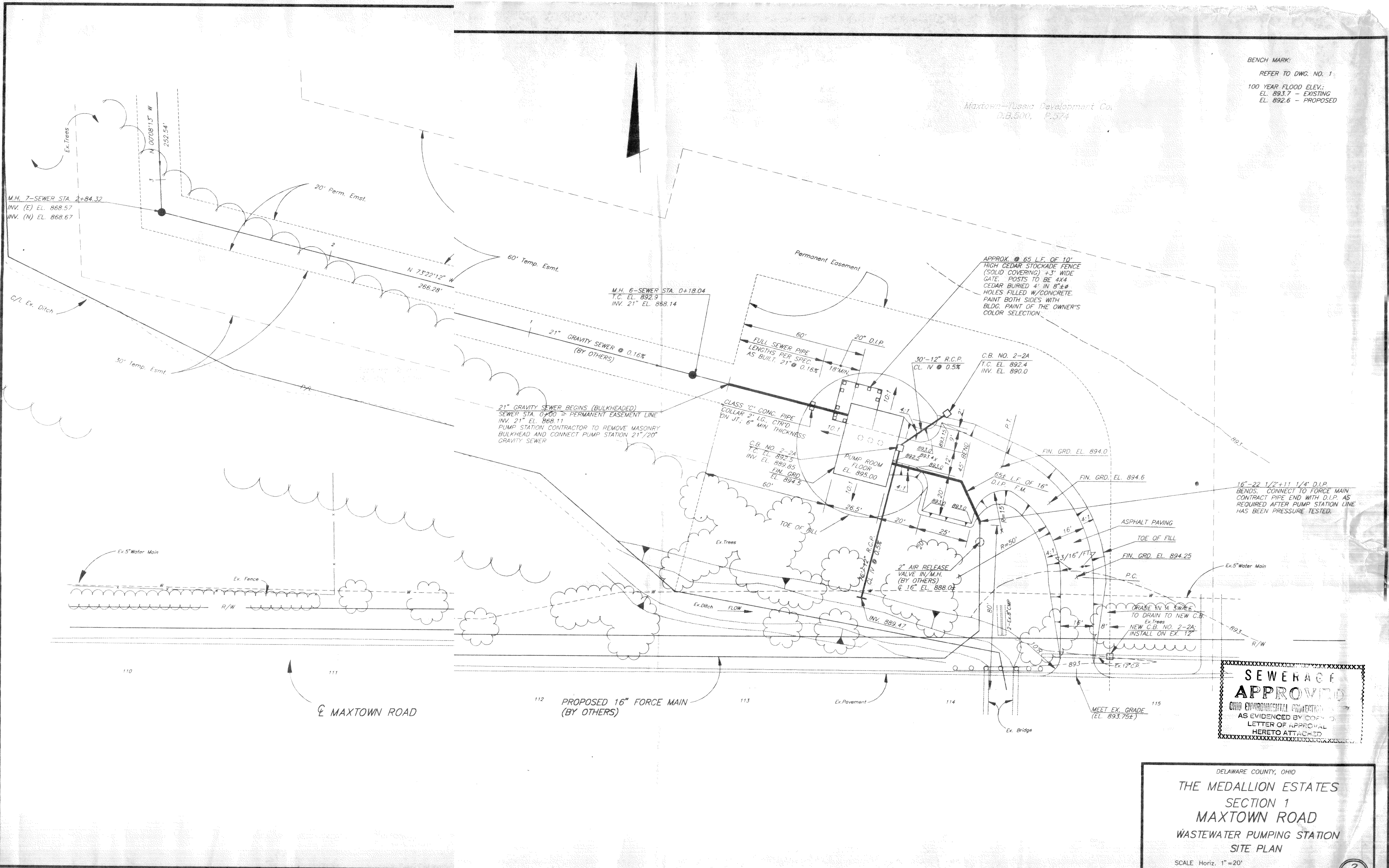
<i>Jack Smolker</i> County Sanitary Engineer Delaware County, Ohio	7-20-92 Date
<i>Fog L. Parrott</i> County Commissioner Delaware County, Ohio	7-20-92 Date
<i>Merlin Sheet</i> County Commissioner Delaware County, Ohio	7-20-92 Date
<i>Ray Johnson</i> County Commissioner Delaware County, Ohio	7-20-92 Date

7-6-92



BENCH MARK:  
 REFER TO DWG. NO. 1  
 100 YEAR FLOOD ELEV.:  
 EL. 893.7 - EXISTING  
 EL. 892.6 - PROPOSED

Maxtown-Lussio Development Co.  
 D.B. 500, P. 574



21" GRAVITY SEWER BEGINS (BULKHEADED)  
 SEWER STA. 0+00 = PERMANENT EASEMENT LINE  
 INV. 21" EL. 868.11  
 PUMP STATION CONTRACTOR TO REMOVE MASONRY  
 BULKHEAD AND CONNECT PUMP STATION 21"/20"  
 GRAVITY SEWER

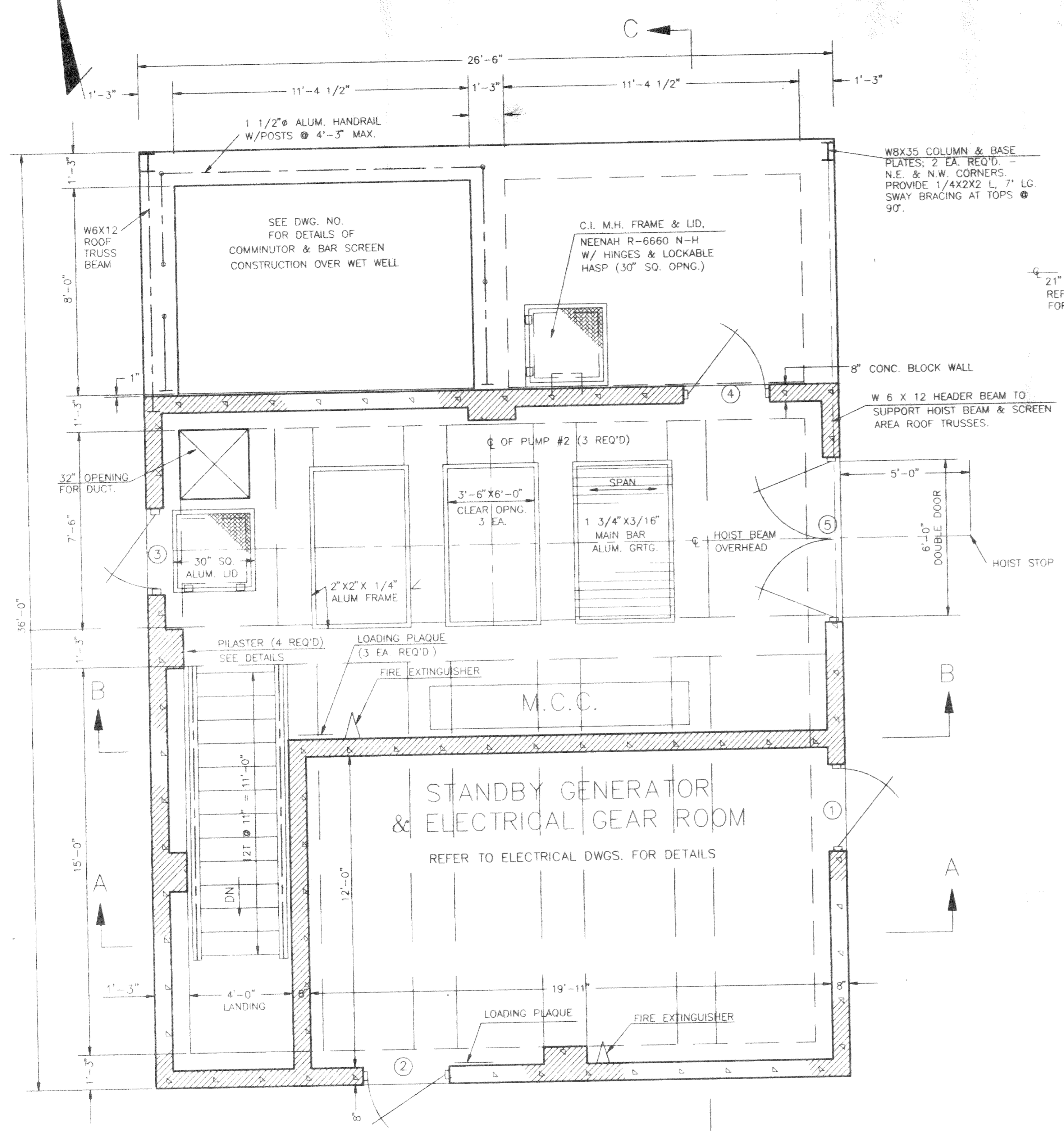
APPROX. 65 L.F. OF 10'  
 HIGH CEDAR STOCKADE FENCE  
 (SOLID COVERING) + 3' WIDE  
 GATE. POSTS TO BE 4x4  
 CEDAR BURIED 4" IN 8x8  
 HOLES FILLED W/CONCRETE.  
 PAINT BOTH SIDES WITH  
 BLDG. PAINT OF THE OWNER'S  
 COLOR SELECTION.

**SEWERAGE APPROVED**  
 OHIO ENVIRONMENTAL PROTECTION AGENCY  
 AS EVIDENCED BY COPY OF  
 LETTER OF APPROVAL  
 HERETO ATTACHED

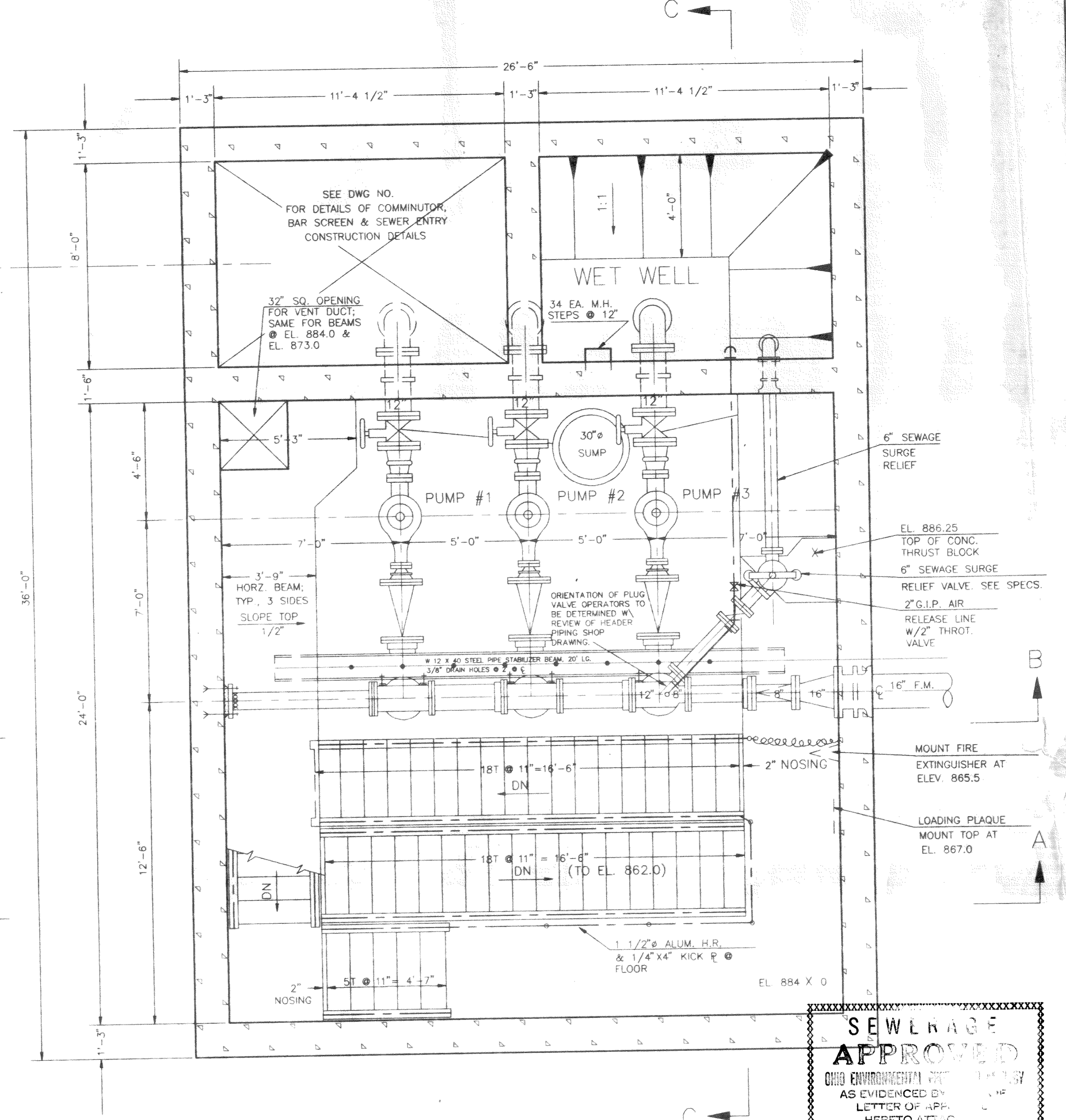
DELAWARE COUNTY, OHIO  
**THE MEDALLION ESTATES**  
 SECTION 1  
**MAXTOWN ROAD**  
 WASTEWATER PUMPING STATION  
 SITE PLAN  
 SCALE Horiz. 1"=20'  
 EVANS, MECHWART, HAMBLETON & TILTON, INC.  
 CONSULTING ENGINEERS & SURVEYORS

P1346\SITE\4-29-92





FLOOR PLAN - EL. 895.0  
SCALE: 3/8" = 1'-0"



SECTIONAL PLAN SHOWING FLOOR  
EL. 862.0 LAYOUT AND DETAILS  
SCALE: 3/8" = 1'-0"

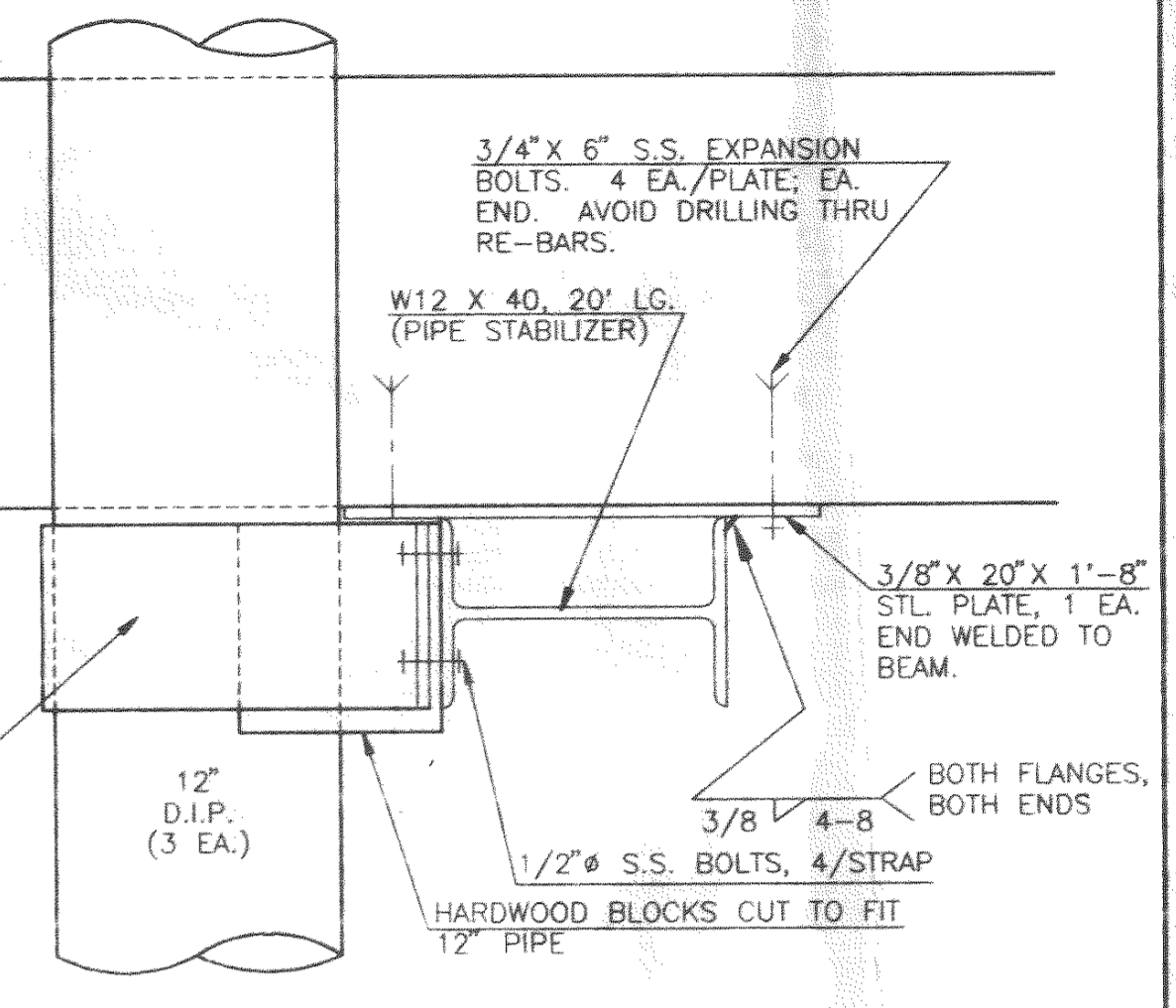
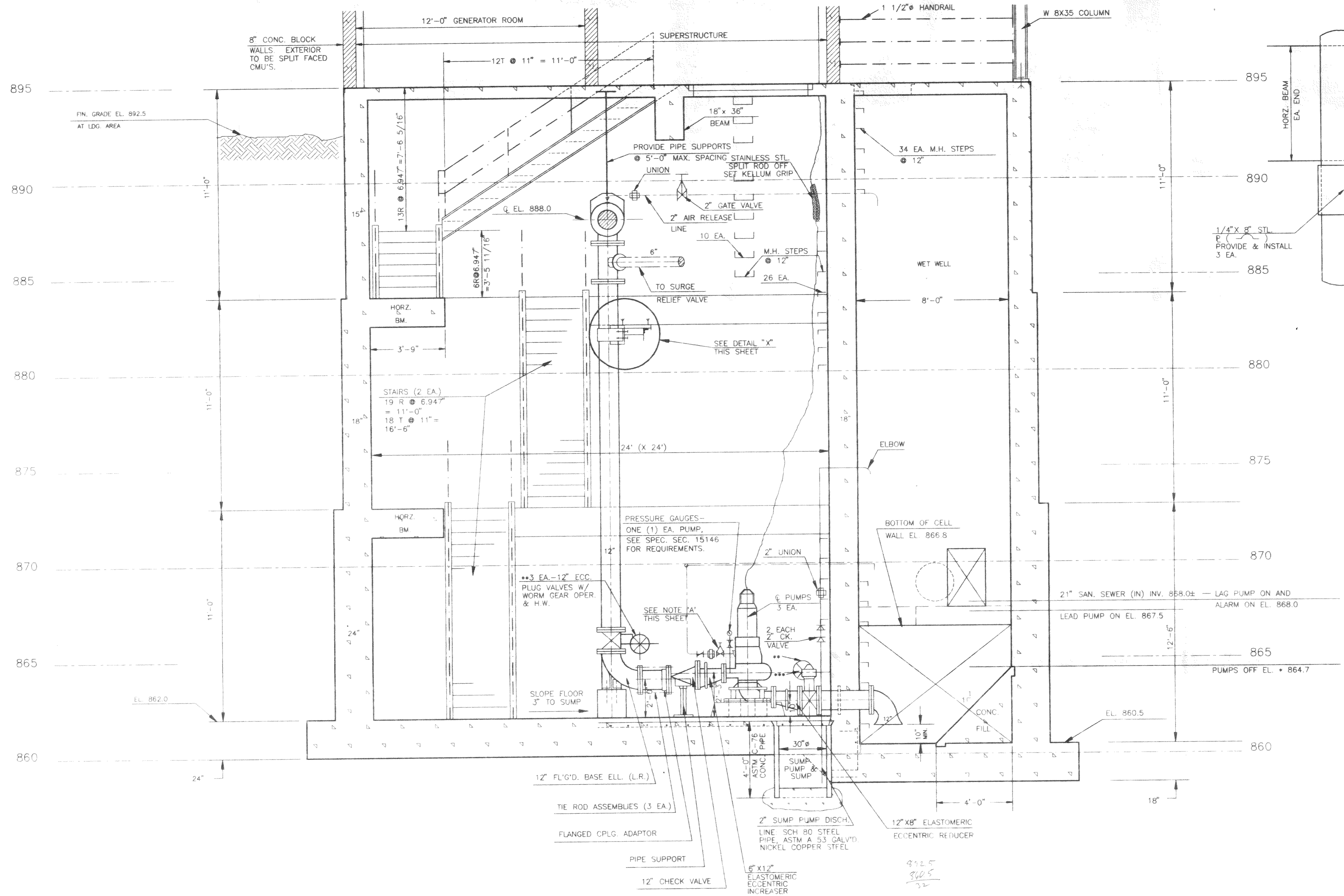
**SEWERAGE  
APPROVED**  
OHIO ENVIRONMENTAL PROTECTION AGENCY  
AS EVIDENCED BY  
LETTER OF APPROVAL  
HERETO ATTACHED

DELAWARE COUNTY, OHIO  
**MAXTOWN ROAD**  
**WASTEWATER PUMPING STATION**  
PLAN VIEWS  
SCALE: As Noted  
EVANS, MECHWART, HABLETON and TILTON, INC.  
Consulting Engineers and Surveyors



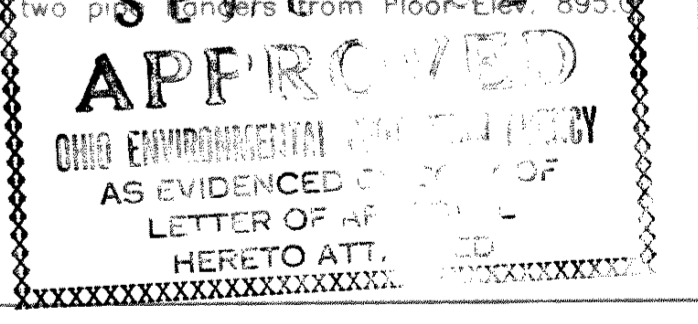






**DETAIL "X"**  
Scale: 1 1/2" = 1'-0"

- PUMP DISCHARGE PIPING - NOTE A**  
Required Three Locations.  
Construction and Materials shall be as follows:
1. Drill top pump discharge boss for 3/4" N.P.T.
  2. Install 3/4" G.I.P. nipple and cross.
  3. Install pressure gauge and piping in vertical run from cross per Spec. Sec. 15146 using 1/4" G.I. pipe bushing and nipples with brass plug valve and gauge.
  4. Install 1/2" brass hose bibb on horiz. run from cross on side toward pump via a 3/4" G.I. street elbow to clear pump.
  5. Install air release lines from remaining cross outlet using 3/4" G.I. Pipe and fittings throughout to discharge into the Wet Well. Each line shall be provided with valves and fittings near the pump connection, as shown, to be as follows:  
3/4" brass gate valve w/handwheel, union, 3/4" brass check valve - equal to Nibco T-413. Install check valve in upsidedown position with flow arrow pointing north; adjust or re-work disc to assure closing of disc when pump is pumping sewage.
  6. Install 3/4" G.I. Pipe vertical runs (3 Ea.) and header pipe at Elev. 866.8. Header pipe shall be provided with a minimum of 6 unions. Also support with a minimum of two pipe clamps from Floor Elev. 895.0 beam.



DELAWARE COUNTY, OHIO

**MAXTOWN ROAD**

**WASTEWATER PUMPING STATION**

SECTION

SCALE: As Noted

EVANS, MECHWART, HAMBLETON and TILTON, INC.  
Consulting Engineers and Surveyors

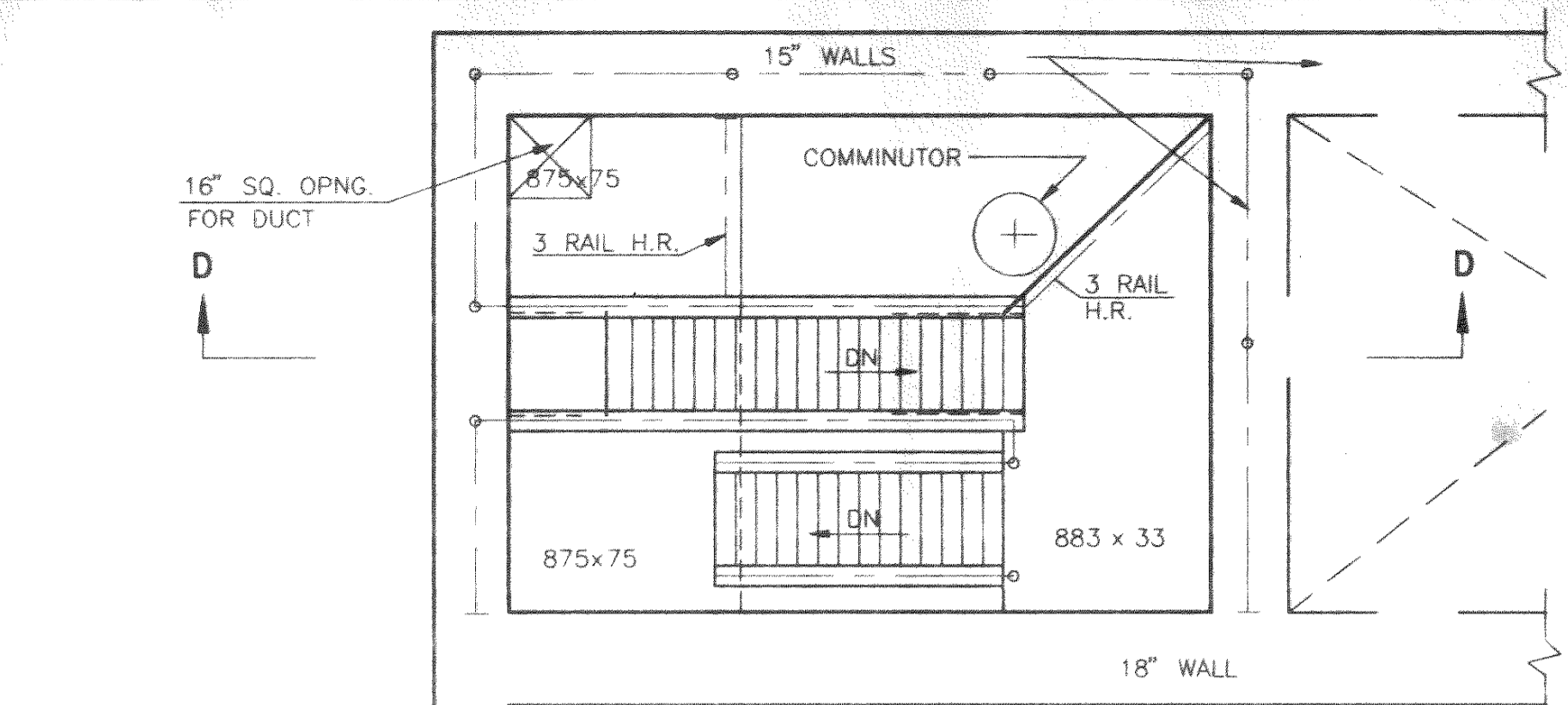
**SECTION C-C**

Scale: 3/8" = 1'-0"

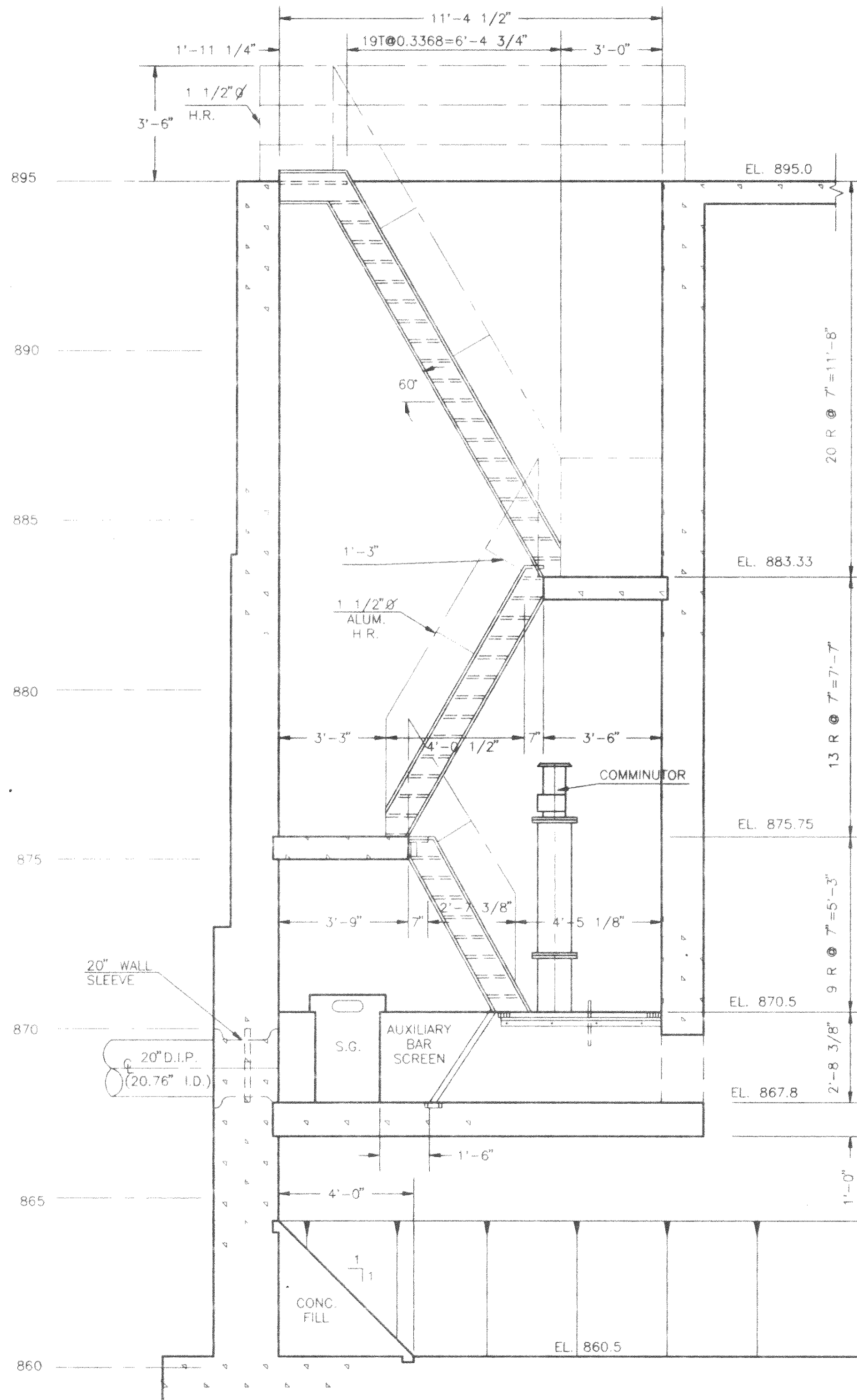
- MAX. LWL ELEV. LOWER ELEV. IS CONTINGENT ON NPSP OF PUMPS FURNISHED.
- PLUG VALVE SEATS TO SEAT IN DIRECTION TOWARDS EACH PUMP.
- THE THREE (3) PUMP SUCTION SIDE VALVES MAY BE 12" SOLID WEDGE FL'GD. GATE VALVES WITH O.S. & Y. AND H.W. IN LIEU OF PLUG VALVES (SHOWN) WITH WORM GEAR ACTUATORS. THIS TO BE AT THE CONTRACTOR'S OPTION.

VP144/DEFN 5/15/92

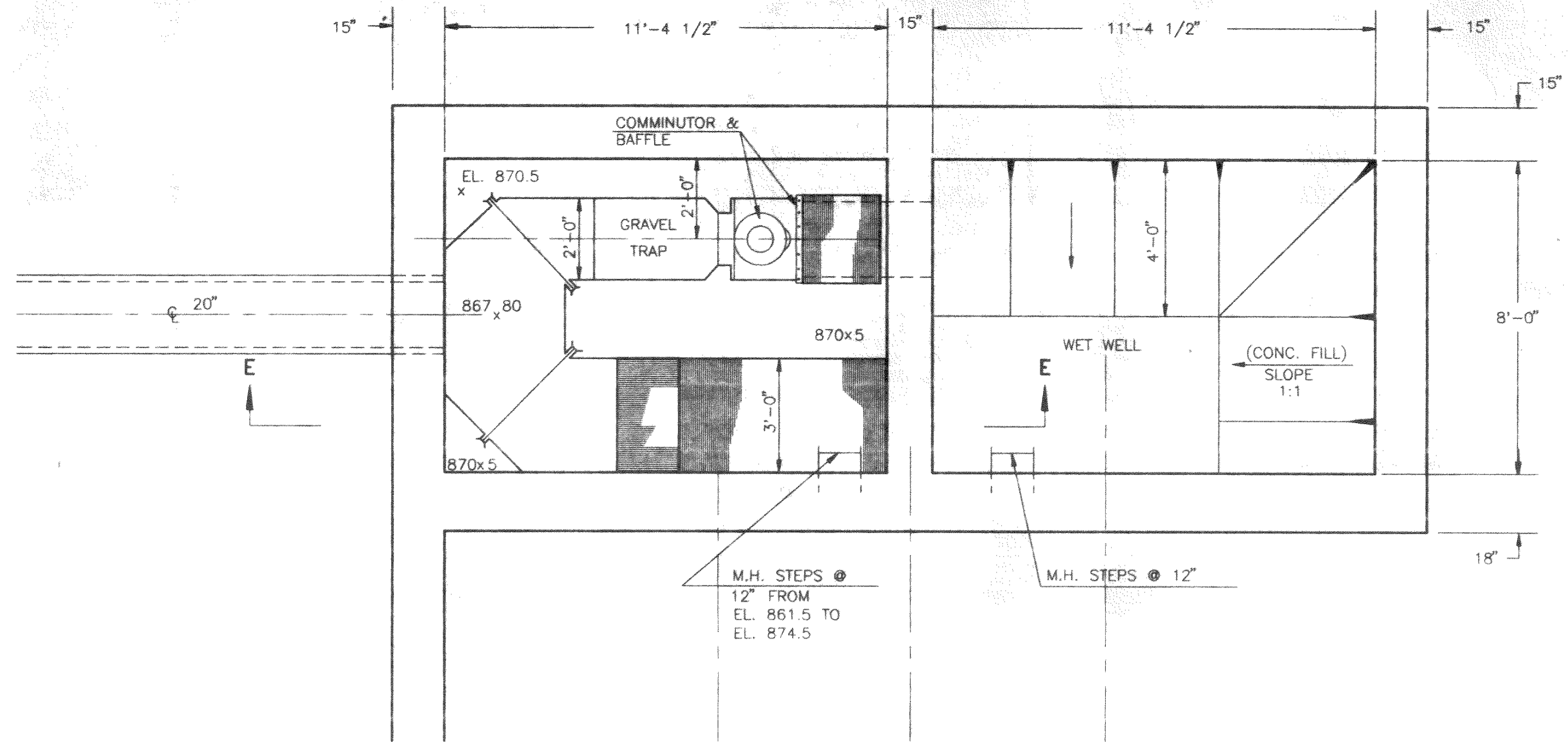




PLAN - EL. 895.0

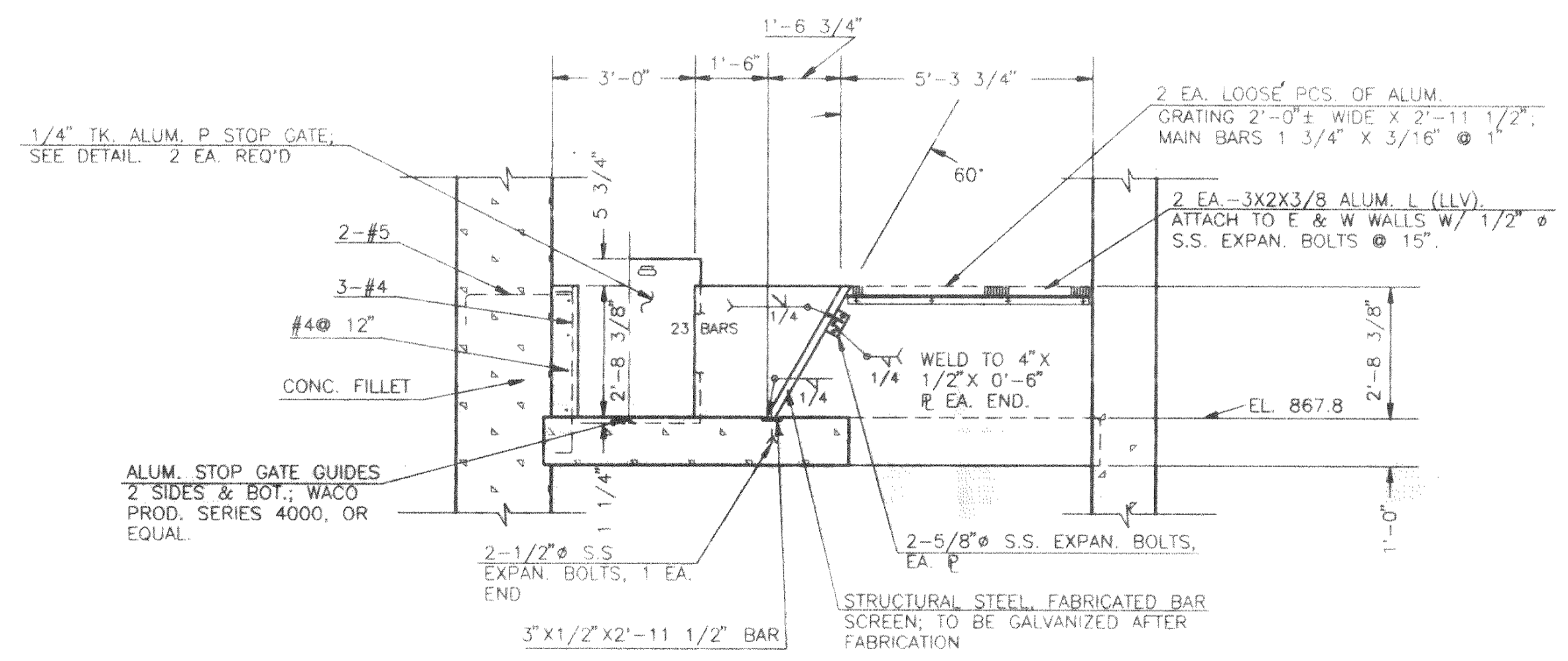


SECTION D-D  
Scale: 3/8" = 1'-0"



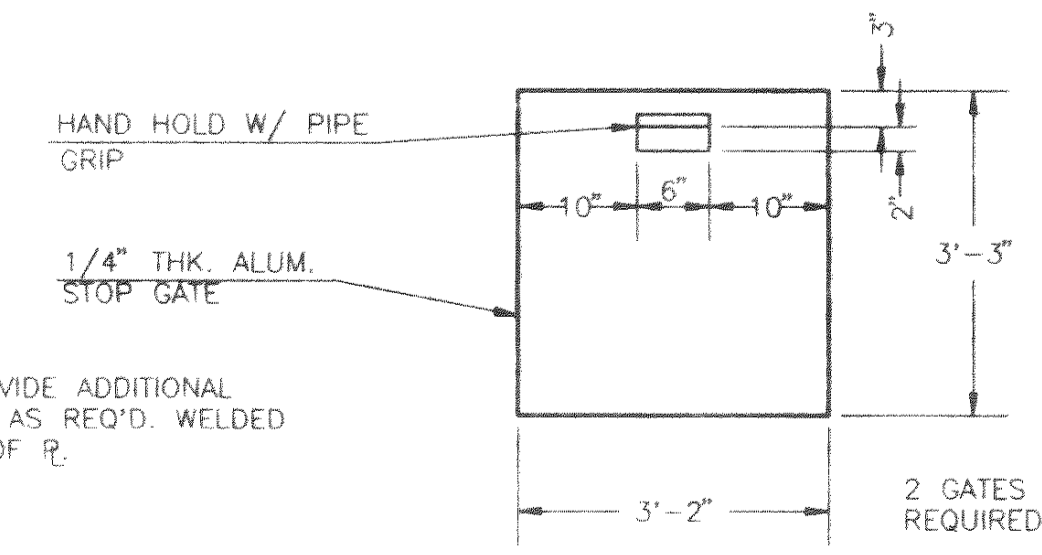
PLAN - EL. 870.5  
COMMINUTOR & BAR SCREEN

Scale: 3/8" = 1'-0"



SECTION E-E THROUGH  
BAR SCREEN

Scale: 3/8" = 1'-0"



NOTE: PROVIDE ADDITIONAL  
BRACE L'S AS REQ'D. WELDED  
TO BACK OF R.

STOP GATE DETAIL

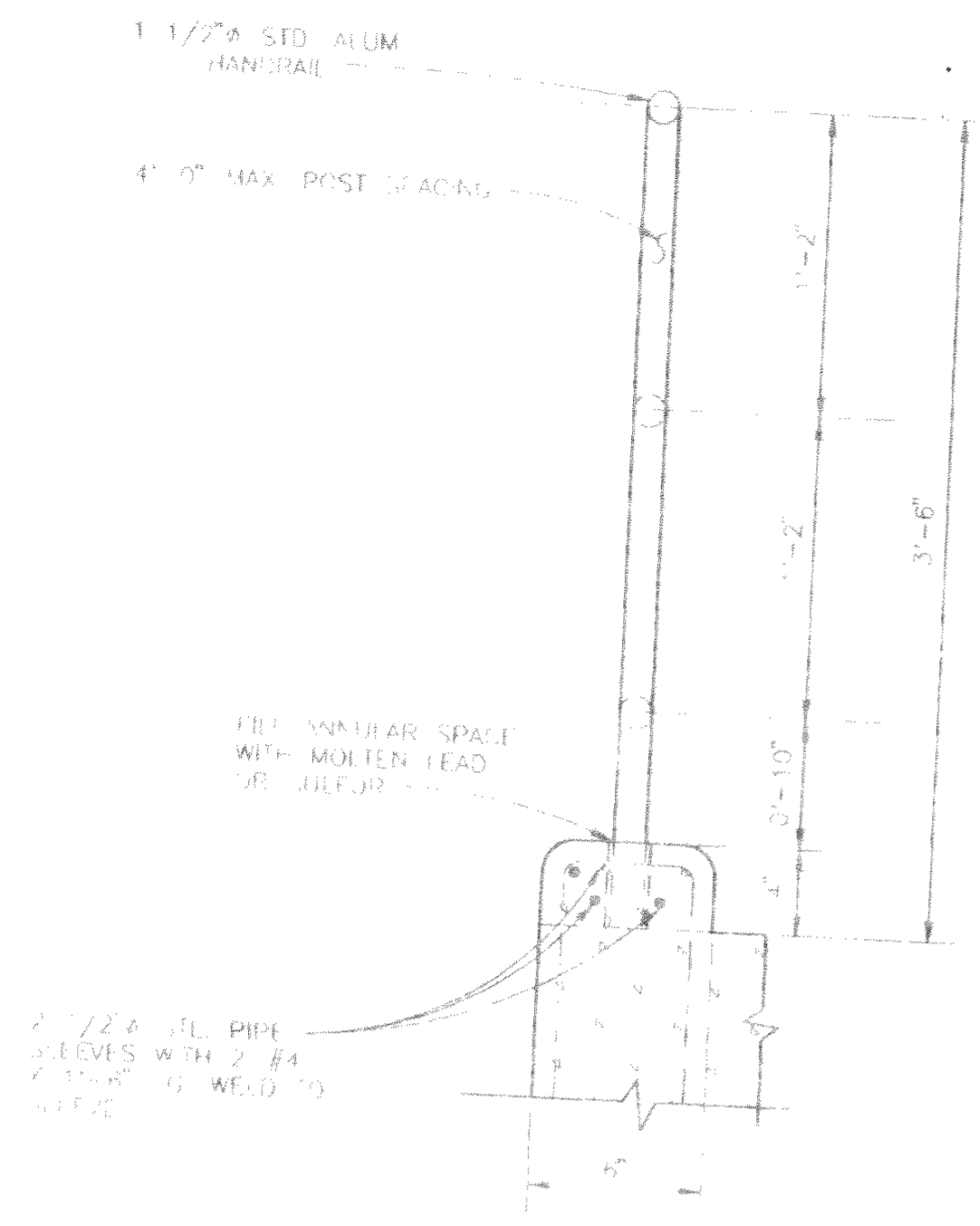
Scale: 1/2" = 1'-0"

SEWER  
APPRC  
OHIO ENVIRONMENTAL PROJ  
AS EVIDENCED BY  
LETTER OF APPR.  
HERETO ATTACH  
XXXXXXXXXXXXXXXXXXXXXXXXXXXX

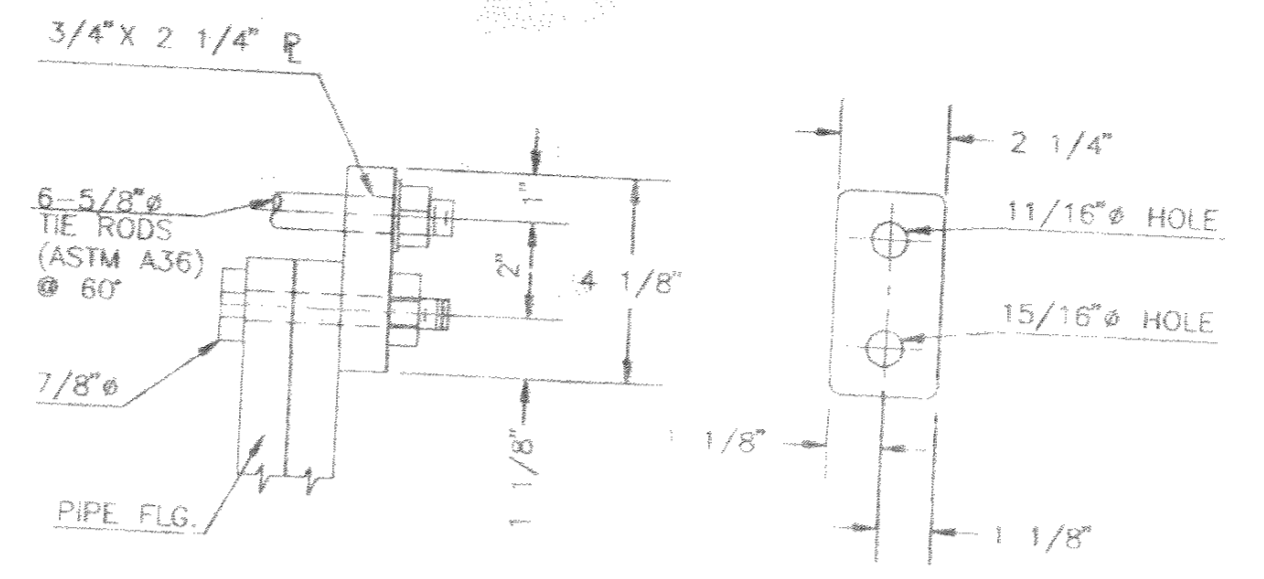
DELAWARE COUNTY, OHIO  
  
**MAXTOWN ROAD**  
**WASTEWATER PUMPING STATION**  
  
SCREEN CHAMBER DETAILS  
SCALE: As Noted  
EVANS, MECHWART, HAMBLETON and TILTON, INC.  
Consulting Engineers and Surveyors

VP-1346-CHAMBER 5-18-82

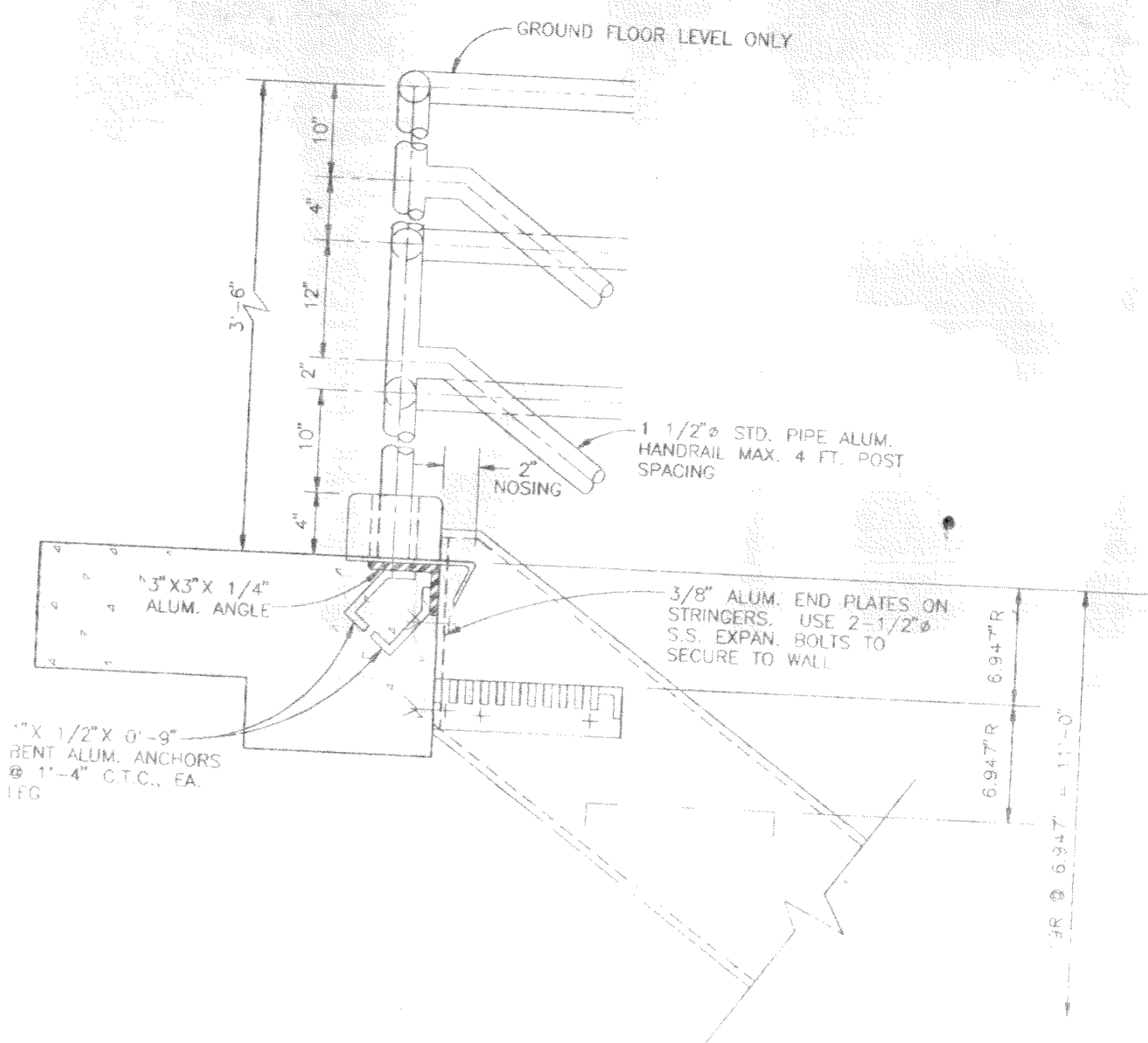




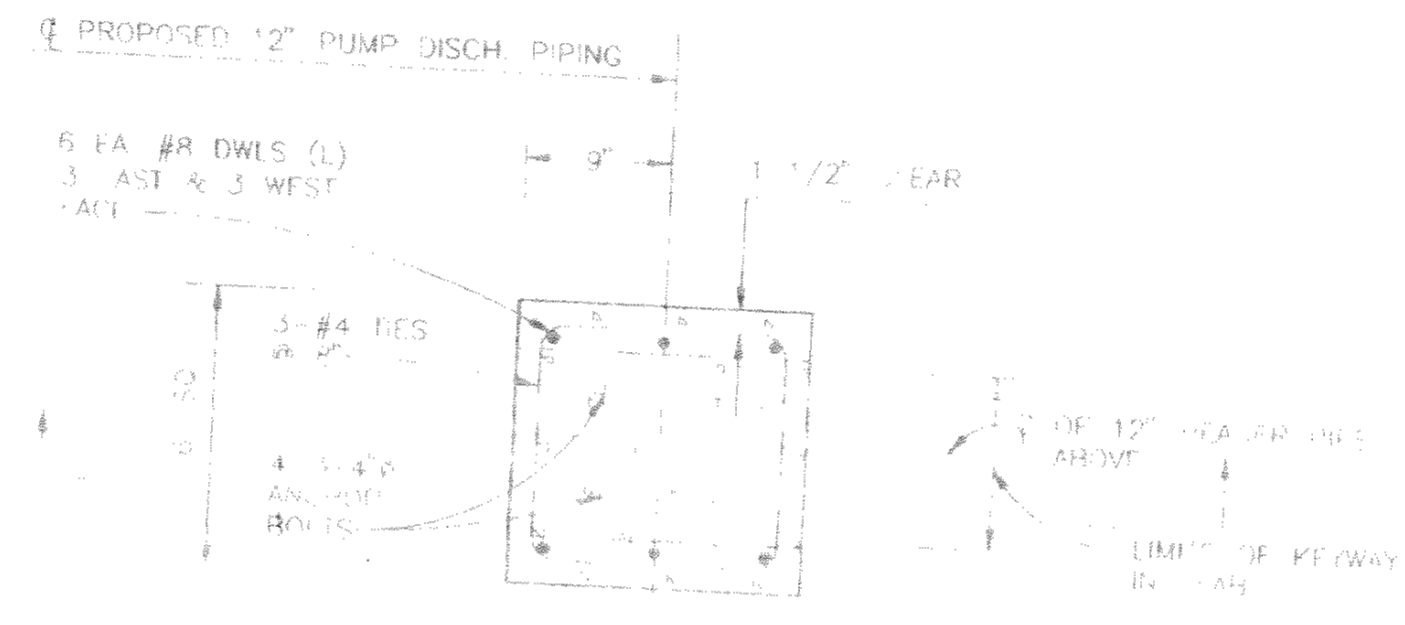
HANDRAIL DETAIL 3  
NOT TO SCALE



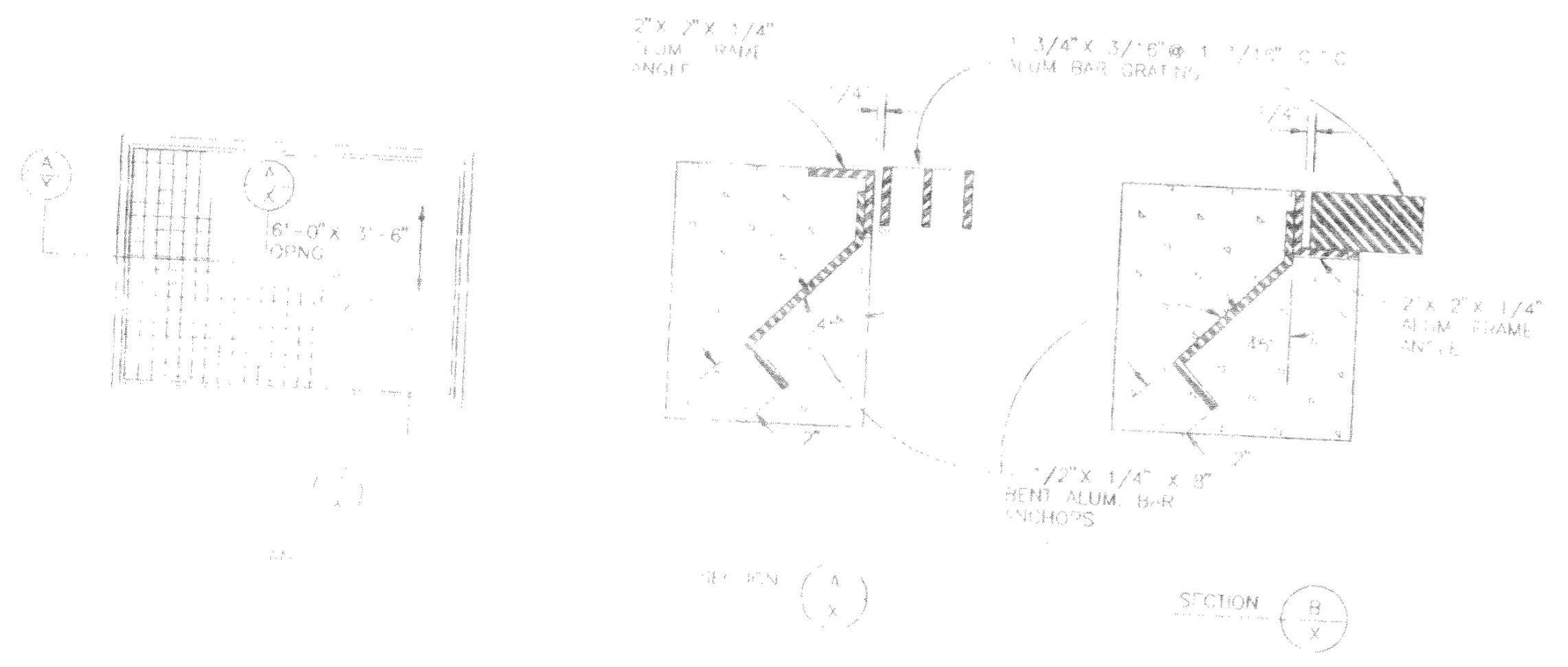
TIE RODS DETAIL 6  
NOT TO SCALE



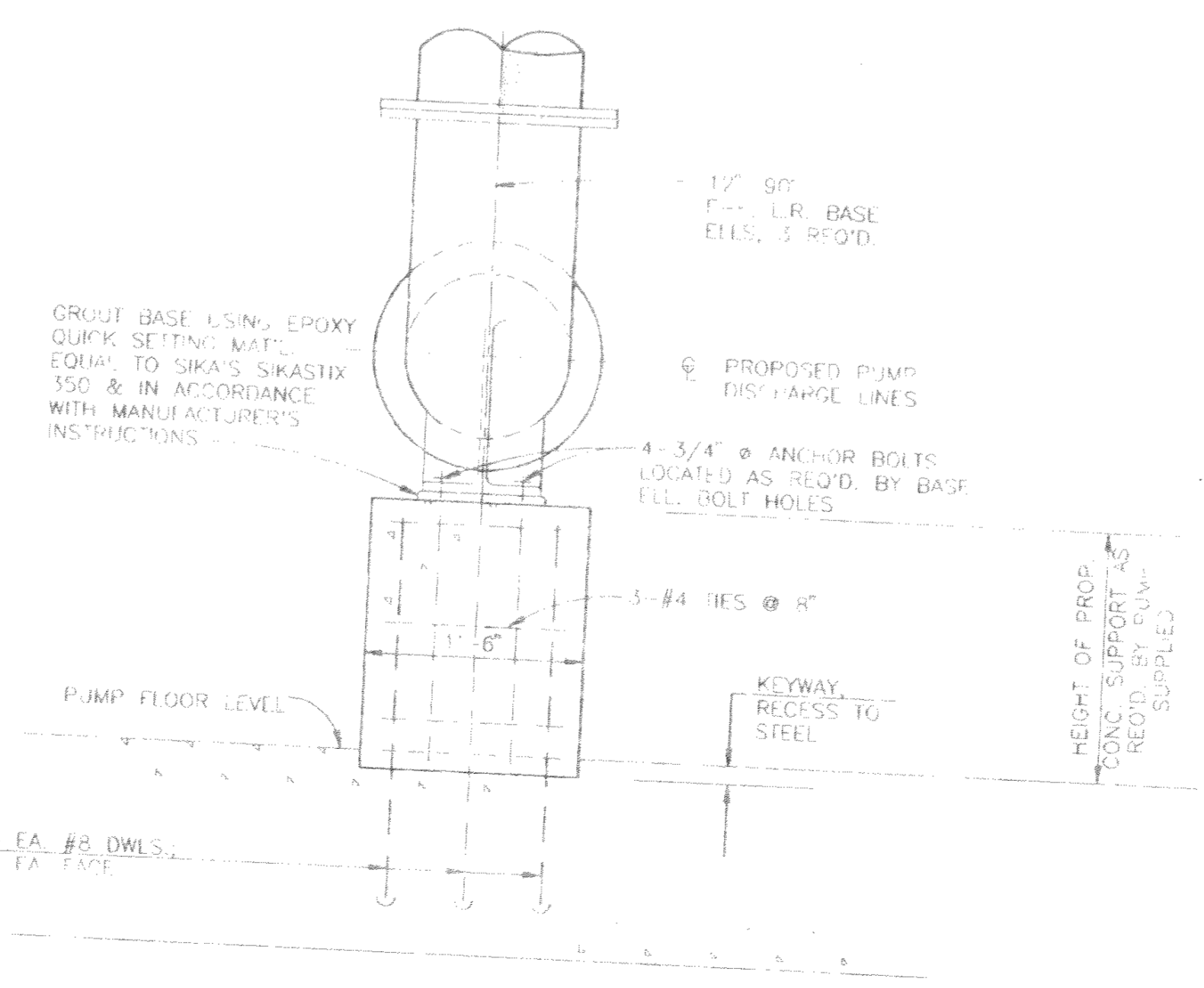
STAIRS/HANDRAIL DETAIL 1  
SCALE: 1/2\"/>



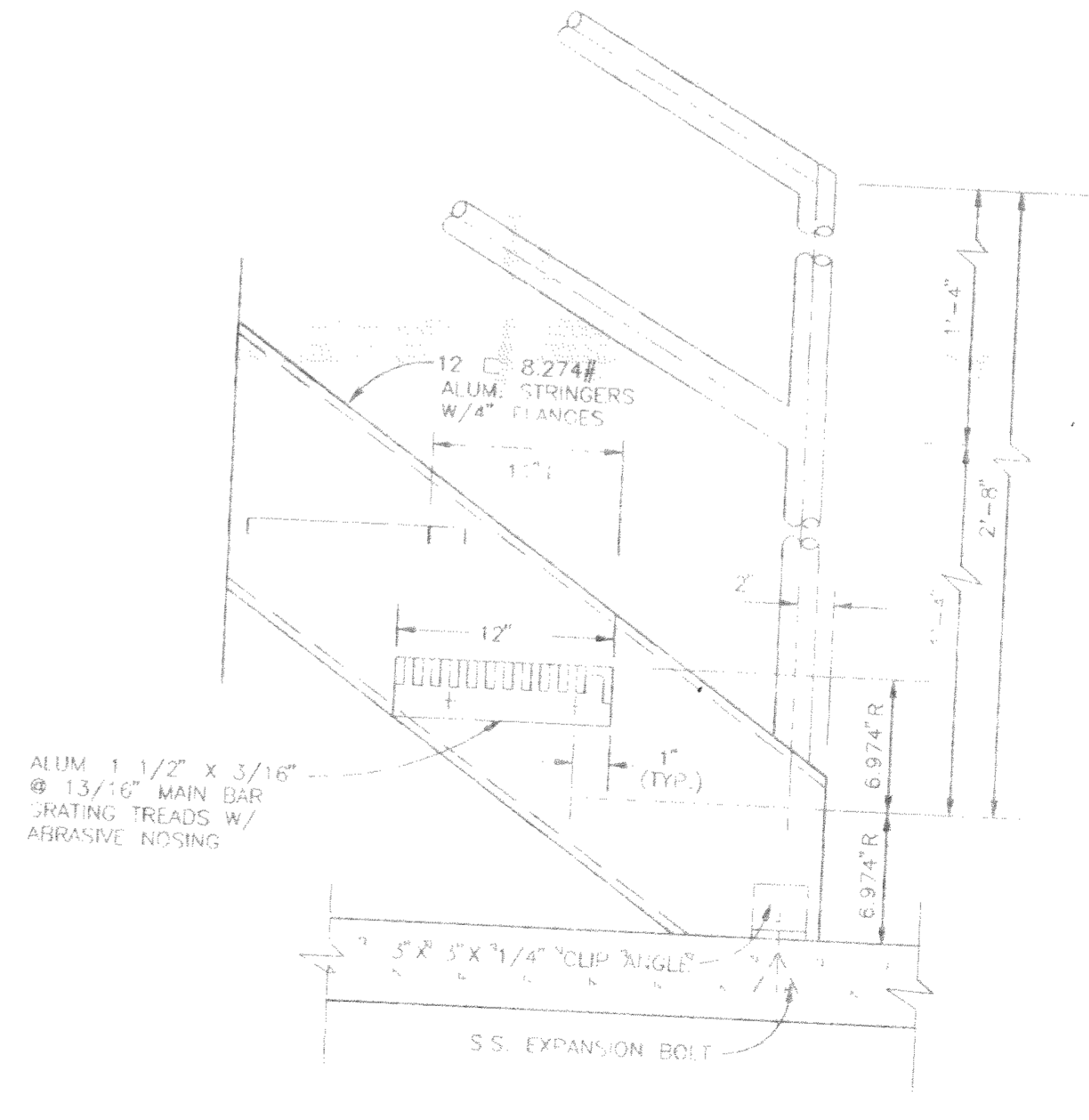
SECTIONAL PLAN  
SCALE: 1\"/>



ACCESS HOLE GRATINGS DETAIL 7  
NOT TO SCALE



SECTION  
DETAILS OF 90° BASE ELL. SUPPORTS  
(3 REQUIRED)  
SCALE: 1\"/>



STAIRS/HANDRAIL DETAIL 2  
SCALE: 1/2\"/>

GENERAL NOTES  
1. ALL ALUMINUM ITEMS TO BE EMBEDDED IN OR ATTACHED TO CONCRETE SHALL BE ADEQUATELY COATED WITH BITUMASTIC MATERIALS & AIR DRIED PRIOR TO INSTALLATION.

SEWERAGE APPROVED  
OHIO ENVIRONMENTAL PROTECTION AGENCY  
AS EVIDENCED BY ONE OF  
LETTER OF APPROVAL  
HERETO ATTACHED

DELAWARE COUNTY, OHIO  
MAXTOWN ROAD  
WASTEWATER PUMPING STATION

SCALE: As Noted  
EVANS, MECHWART, HAMILTON and TILTON, INC.  
Consulting Engineers and Surveyors