

SHERBORNE MEWS SUBDIVISION LIBERTY TOWNSHIP, DELAWARE COUNTY, OHIO

GENERAL NOTES

The "Standard Plans And Specifications For Construction of Sanitary Facilities in Delaware County, Ohio, together with the State of Ohio Department of Transportation "Construction and Material Specifications", dated January 1, 1987, including all supplements thereto, and the regulations of the Delaware County Sanitary Engineer shall govern all construction items that are a part of this contract.

The Contractor shall investigate and locate all utilities prior to construction.

Sanitary sewer shall be subjected to and pass the infiltration test or exfiltration test, whichever is applicable before any connection may be made there. Ground water infiltration through the pipe joints shall not exceed 200 gallons per inch of pipe diameter per 24 hours per mile of length, or the computed equivalent for shorter lengths and shorter periods of time.

Manholes may be either poured in place or precast concrete. Concrete construction shall conform to ASTM C-478 with joints between sections conforming to ASTM C-443 Manholes shall conform to MH-1A or MH-2, O.D.O.T., Standard Construction Drawings.

The Contractor shall furnish and place as directed approved Y-poles made of 2"x2" lumber at all Y-branches and ends of extended services.

The Contractor shall comply with the Occupational Safety and Health Act of 1970 and any subsequent revisions thereto.

Where sewer construction is within or crosses proposed pavement or dedicated rights-of-way, the backfill shall be compacted to meet the requirements of Section 203.12 of the specifications or shall consist of an approved granular material.

Roof drains, foundation drains, and other clear water connections to this sanitary sewer system are prohibited.

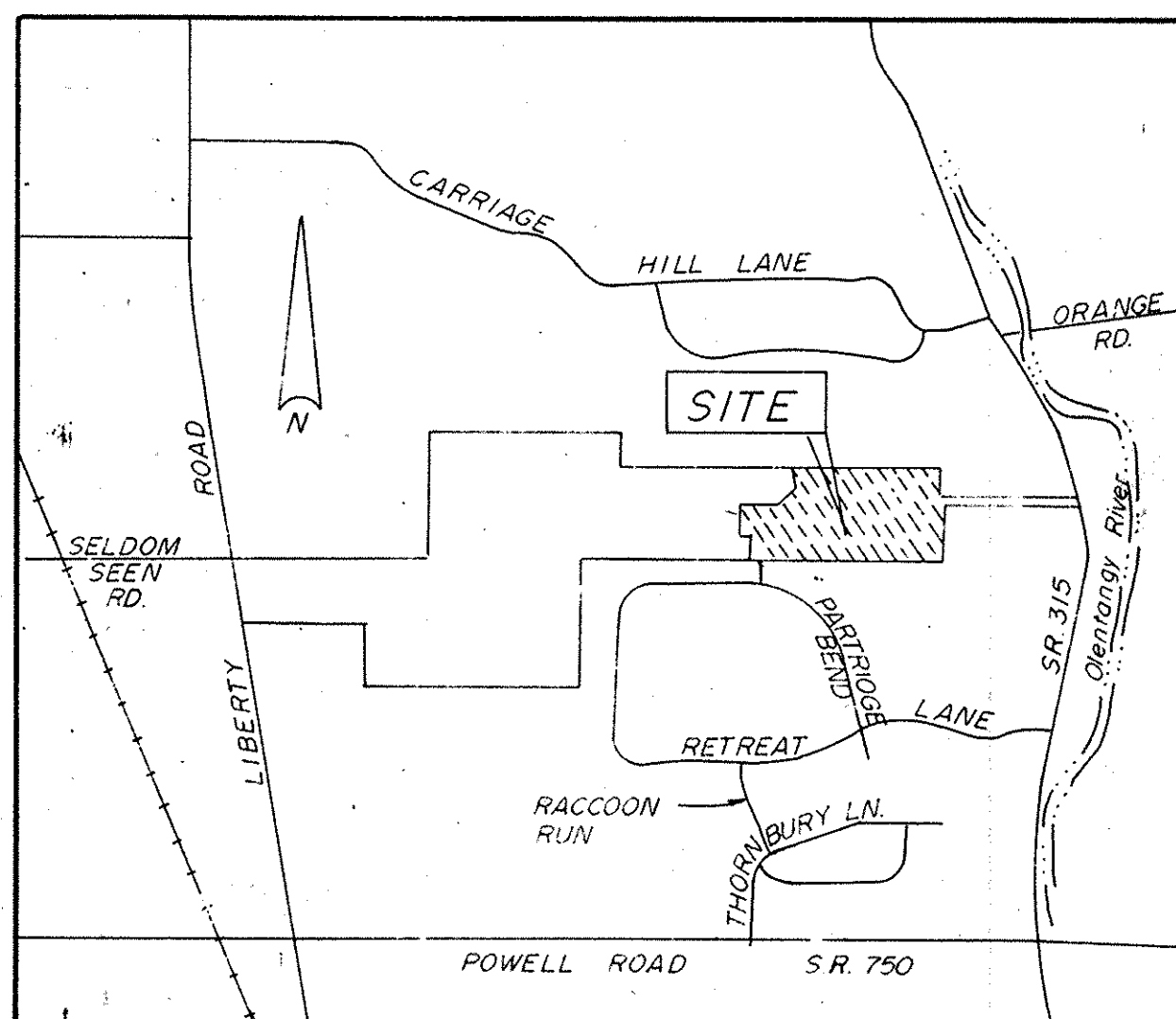
Manhole tops shall be built or subsequently adjusted to meet surface grades established for the development. Cost for adjustment to be included in the price bid for manholes. Precast Concrete Adjusting Rings Shall be used.

The minimum requirement for all sewer pipe shall be Extra Strength Clay Pipe C 700 with Type 1 Bedding, or Acrylonitrile-Butadiene-Styrene (A.B.S) Composite Pipe, D-2680-72, or Type PSM Poly Vinyl Chloride (PVC) with approval by County Sanitary Engineer.

All pipe joints shall conform to ASTM C-425.

Precast Manholes over 12 feet deep shall be placed on a 6" poured in place concrete pad.

SANITARY SEWER PLAN



LOCATION MAP

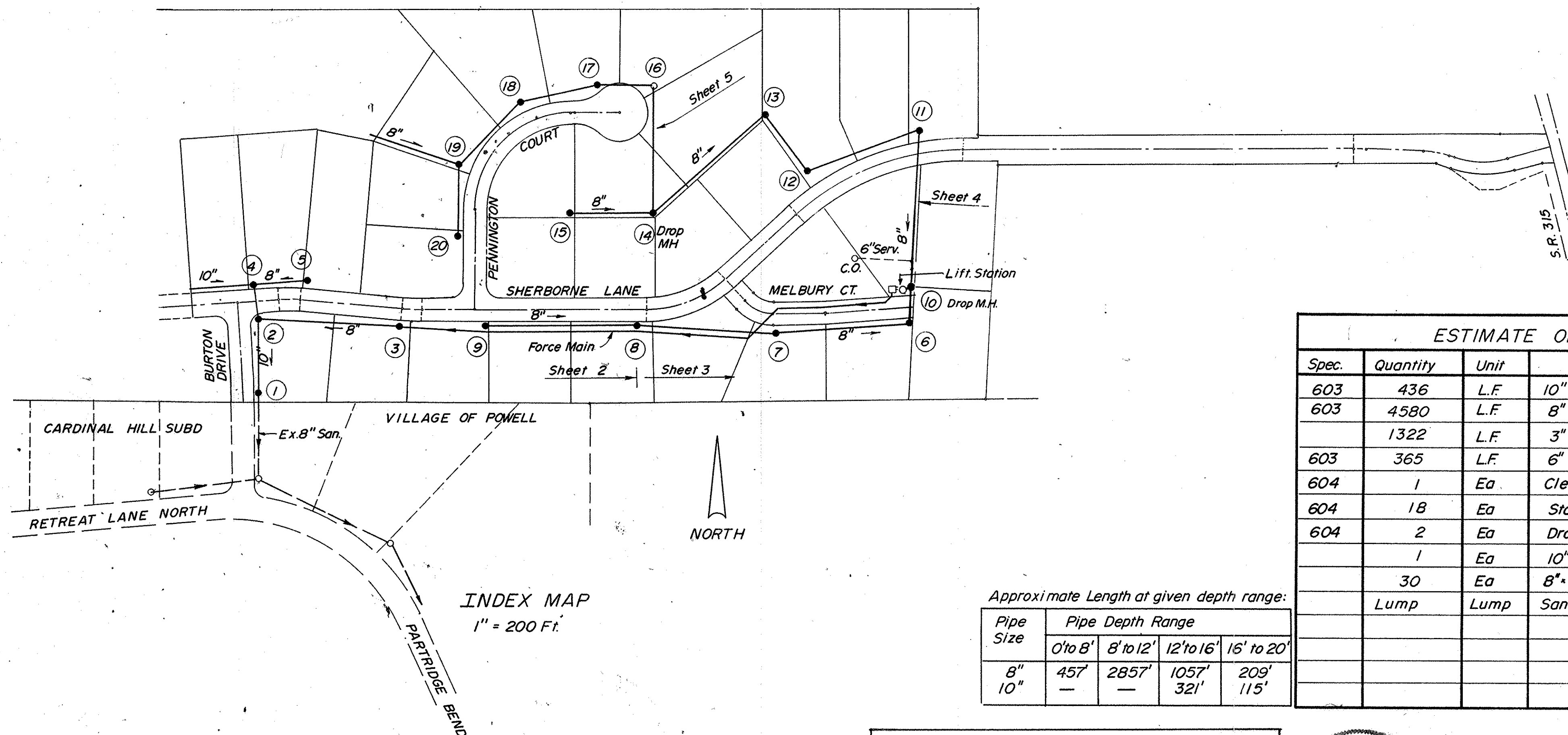
APPROVALS

Jack Smolker
DELAWARE COUNTY SANITARY ENGINEER

DELAWARE COUNTY COMMISSIONERS:

Fay L. Ransatt

Melvin Sholt



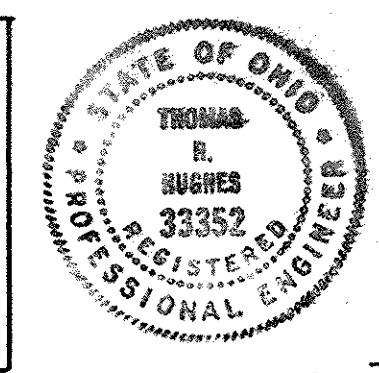
INDEX MAP
1" = 200 Ft.

ESTIMATE OF QUANTITIES			
Spec.	Quantity	Unit	Description
603	436	L.F.	10" Sanitary Sewer
603	4580	L.F.	8" Sanitary Sewer
	1322	L.F.	3" Sanitary Force Main
603	365	L.F.	6" Sanitary Sewer (Service)
604	1	Ea	Clean out
604	18	Ea	Standard Manhole
604	2	Ea	Drop Manhole
	1	Ea	10" x 6" Wye
	30	Ea	8" x 6" Wyes, including risers
	Lump	Lump	Sanitary Lift Station, Complete

Approximate Length at given depth range:

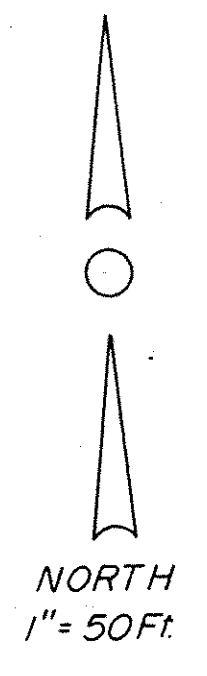
Pipe Size	Pipe Depth Range			
	0' to 8'	8' to 12'	12' to 16'	16' to 20'
8"	457'	2857'	1057'	209'
10"	—	—	321'	115'

"As Built" Elevations from field Survey 8/17/89
Wye Locations Shown Per County Inspection Reports
3/30/90



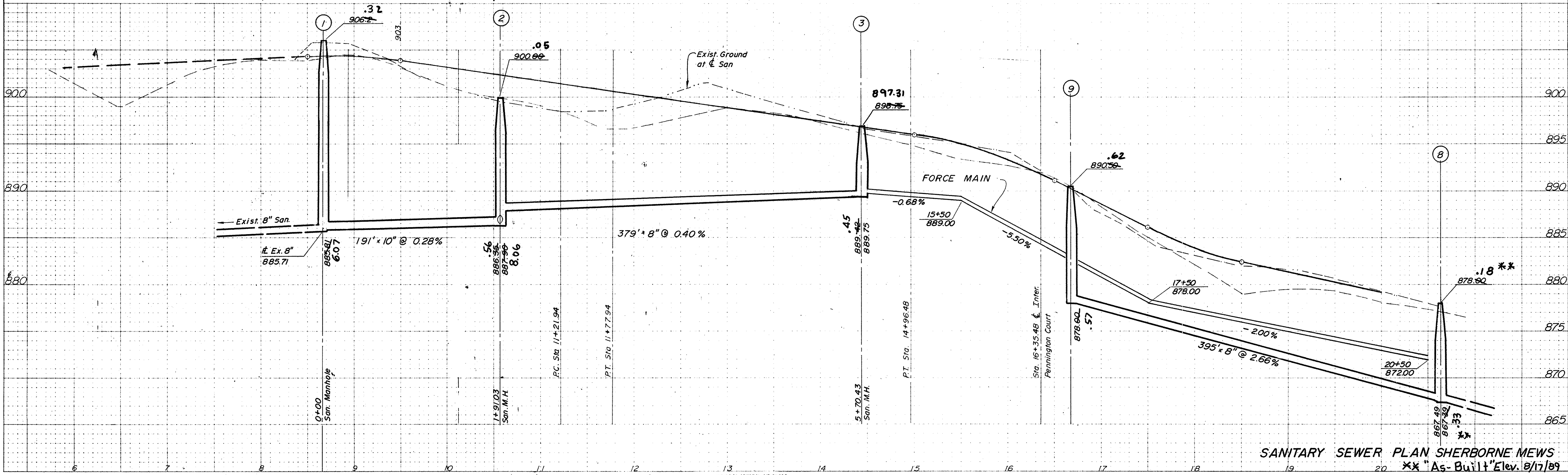
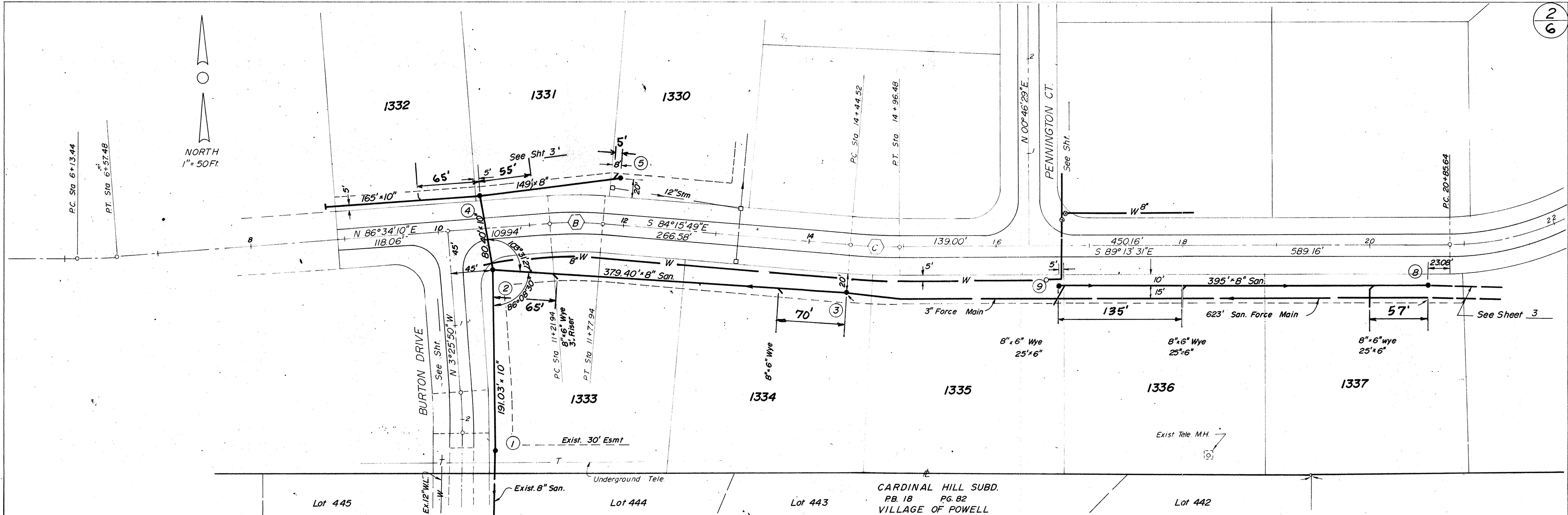
PLAT PREPARED BY:
HUGHES ENGINEERING
6161 BUSCH BLVD.
COLUMBUS, OHIO
Tele (614) 846-5290

Thomas R. Hughes
PROFESSIONAL ENGINEER No. 33352
DATE 5/18/89



FINAL SURVEY SURVEYED PLOTTED NOTE BOOK TEMPLATE AREAS CHECKED

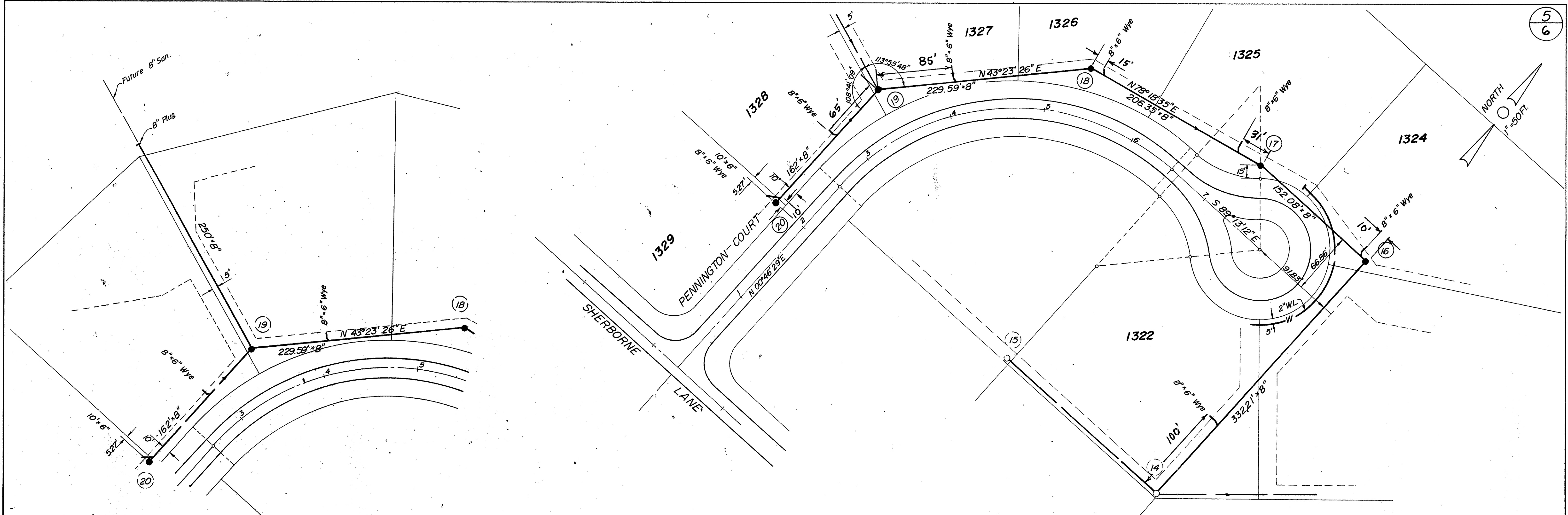
ORIGINAL SURVEY SURVEYED PLOTTED NOTE BOOK TEMPLATE AREAS CHECKED



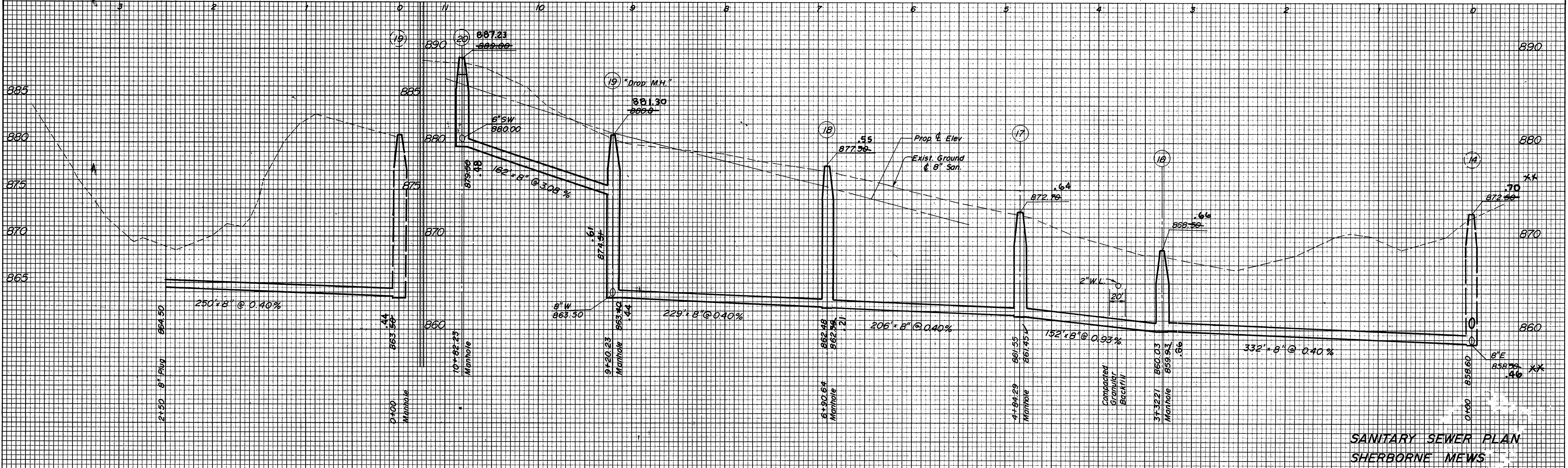
SANITARY SEWER PLAN SHERBORNE MEWS
** "As-Built" Elev. 8/17/89
SHERBORNE LANE STA 6+00 TO STA 20+00

PLATE 4-SINGLE PLAN AND CROSS SECTION FULL LINE

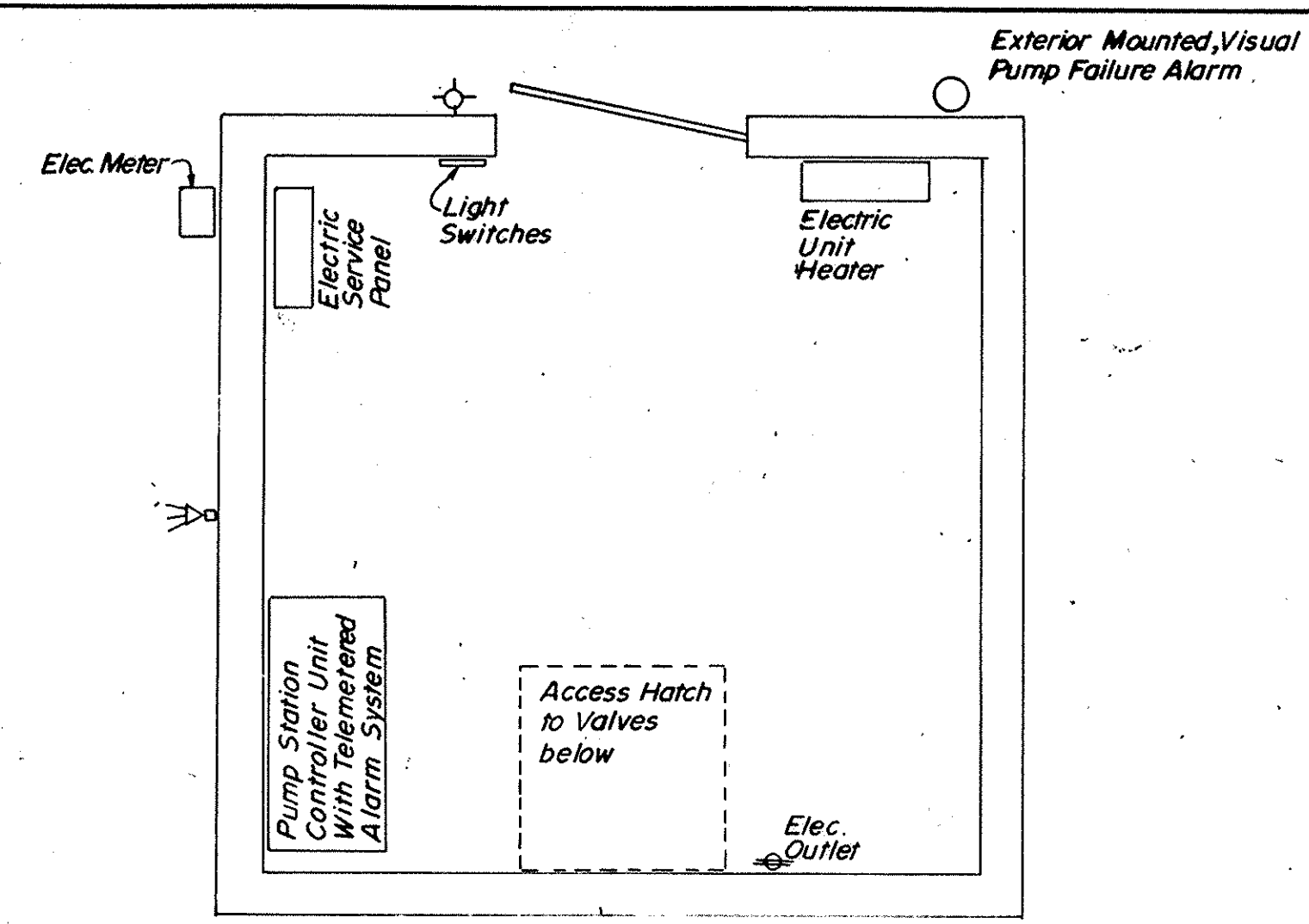
FINAL SURVEY	DATE
SURVEYED	BY
PLOTTED	
TEMPLATE	
NOTE BOOK	
AREAS CHECKED	



ORIGINAL SURVEY	DATE
SURVEYED	BY
PLOTTED	
TEMPLATE	
NOTE BOOK	
AREAS CHECKED	



**SANITARY SEWER PLAN
SHERBORNE MEWS**



SCHEMATIC PLAN
EQUIPMENT ENCLOSURE BUILDING

Equipment Enclosure Building (By Others) to be constructed over Lift Station Valve Pit. Building to house lift Station Controller Panel and Electric Service Panel. Electric Unit Heater and Interior and Exterior Lighting to be provided. Complete building and equipment plan to be submitted to and approved by Delaware County Sanitary Engineer.

LIFT STATION GENERAL NOTES

The Contractor shall comply with material and construction requirements of the Delaware County Sanitary Engineer. The Contractor shall obtain any and all permits required by the Sanitary Engineer and pay cost for any and all fees.

The Contractor shall furnish all materials, labor, tools, transportation, incidentals and appurtenances to complete in every detail and leave in working order all items of work called for and/or shown on the accompanying drawings. Any material or work not specifically mentioned or shown on the drawings, but necessary to complete the work, shall be furnished.

The Contractor is required to visit the site and fully inform himself concerning all conditions affecting the scope of the work. Failure to visit the site shall not relieve him from any responsibility in the performance of this Contract.

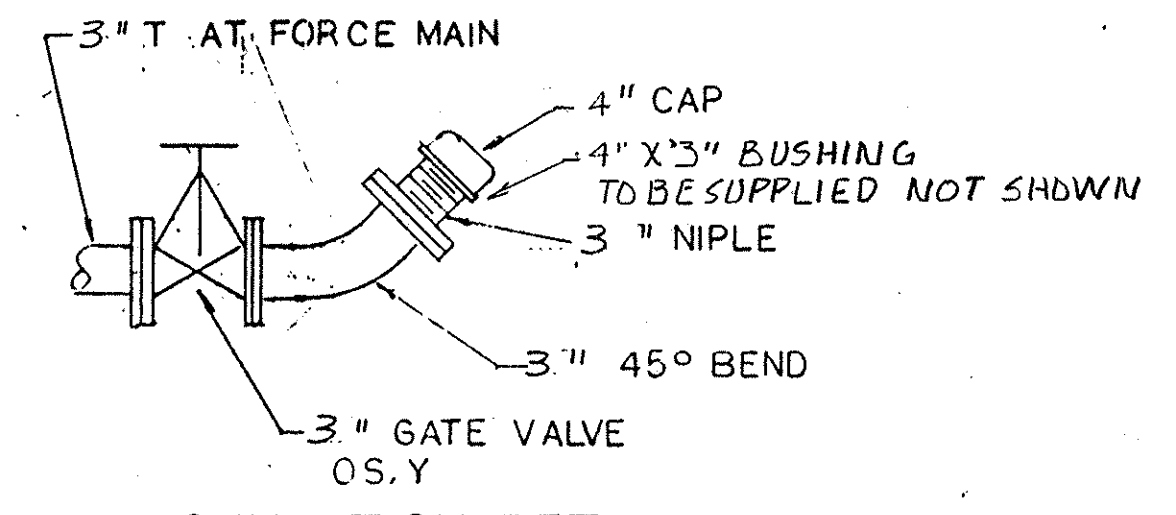
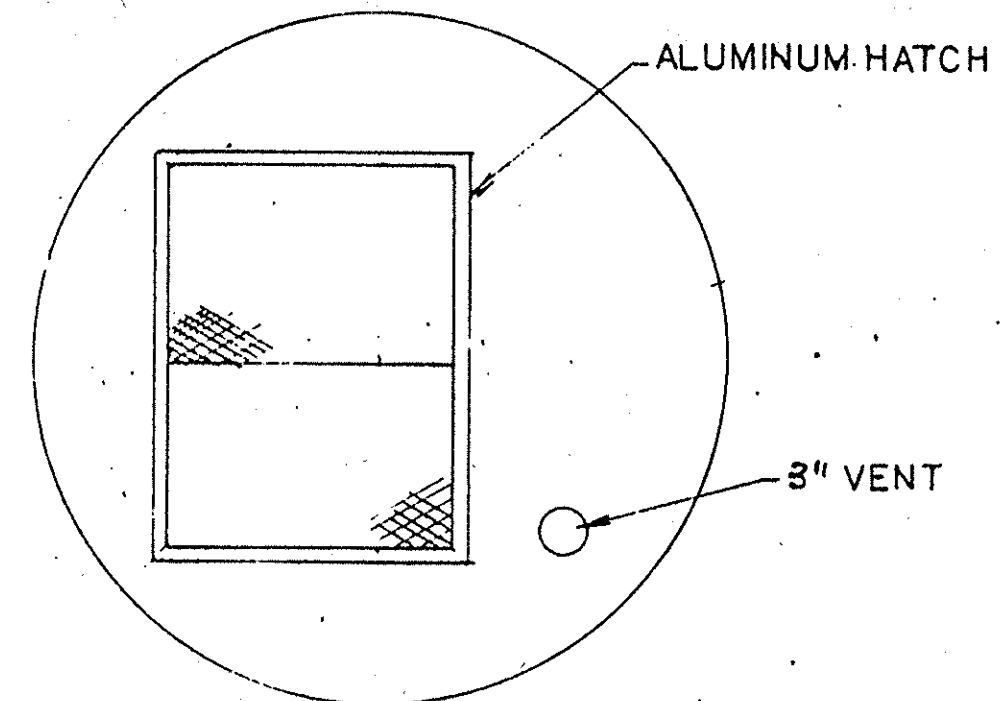
The Contractor shall investigate and locate all existing utilities and notify all utility companies a minimum of 48 hours prior to construction.

The Contractor shall provide 4" to 6" sand or grit leveling base under each concrete structure and shall place granular fill as required, dependent on soil conditions. This applies to precast units only.

Contractor shall grade area to drain surface water away from station.

All disturbed areas shall be seeded and mulched after final grading by Contractor.

Roof drains, foundation drains, and other clean water connections to the sanitary system are prohibited.



PUMP CONNECTION DETAIL

CONTROL BUILDING PER DELAWARE COUNTY STDS., BY OTHERS

LIFT STATION SPECIFICATIONS

GENERAL

Scope of Work
Work under this section includes furnishing and installing the lift station, complete as shown on the Drawings and as specified herein including all site work, enclosure building and electric tie in.

WET WELL AND VALVE VAULT

The lift station and valve shall be constructed of pre-cast concrete sections meeting the requirement of ASTM C 478.

All rubber ring joints shall comply with ASTM C 443.

ACCESS LID AND FRAME ASSEMBLY

The wet well top shall be fitted with an access lid and frame assembly

Each door is to have a handle, a latch to hold it in the open position, and a hasp for padlocking.

The frame shall be of 3" x 3" x 1/4" angle.

The frame assembly shall be placed in the concrete wet well top when it is poured.

PIPING

The Contractor shall supply and install all piping and valving required in the concrete wet well and valve vault as shown on the Drawings.

THE CONTRACTOR TO FURNISH AND INSTALL AN AUTOMATIC DIALER SUPERVISOR EQUAL TO MICRO-TEL MODEL MCG-108

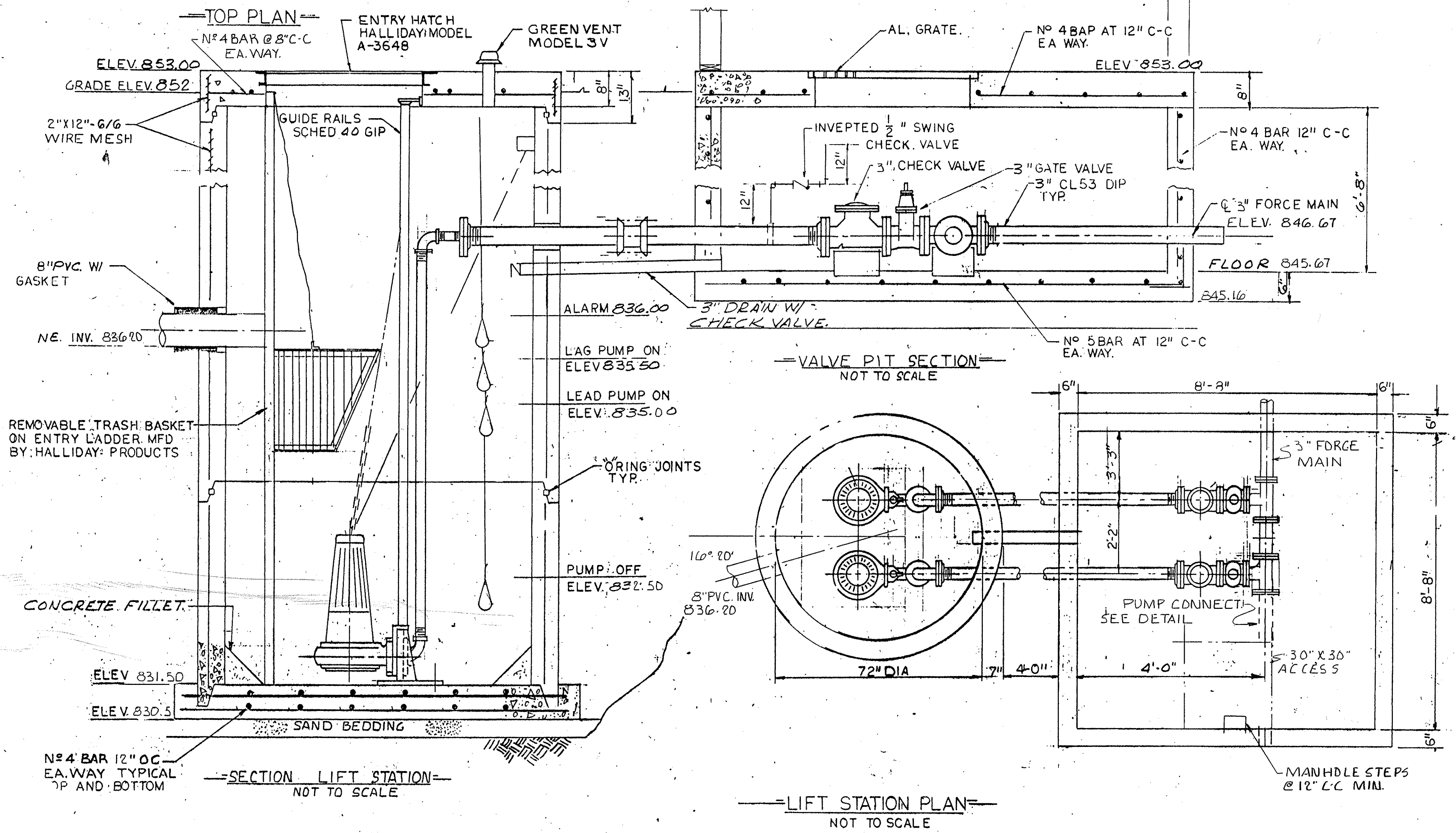
Furnish and install two submersible pumps as manufactured by ABS Pumps, Model Piranah, 4 W. Grinder Pumps or approved equal.

Each pump shall have a capacity of 55GPM at a total dynamic head of 80 feet. Motors shall be 4 HP, 3450 RPM (max), designed for operation on 230 volt, one phase, 60 hertz power.

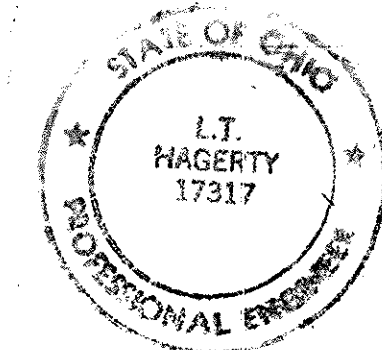
The valve casing, impeller, and motor enclosure shall be cast iron. The motor shaft shall be stainless steel with double mechanical seal assembly with leak sensor.

PUMP INSTALLATION

The installation and removal system for each pump shall consist of a stationary cast iron discharge base elbow with 125 lb. discharge flange connection and two guide rail connections. This elbow shall be attached to a support base that is connected to the well wall bottom. The guide pipes shall be secured at the top with a guide rail cap attached to the access frame. use Galv. Iron Pipe, Sch. 40, for guide pipes.



LIFT STATION PLAN
NOT TO SCALE



E. C. BABBERT, INC.			
CANAL WINCHESTER, OHIO			
SCALE:	APPROVED BY:	DRAWN BY:	
DATE:	<i>L.T. Hagerty</i>	REVISED:	
SHERBORNE MEWS			
LIFT STATION DETAILS.			DRAWING NUMBER